

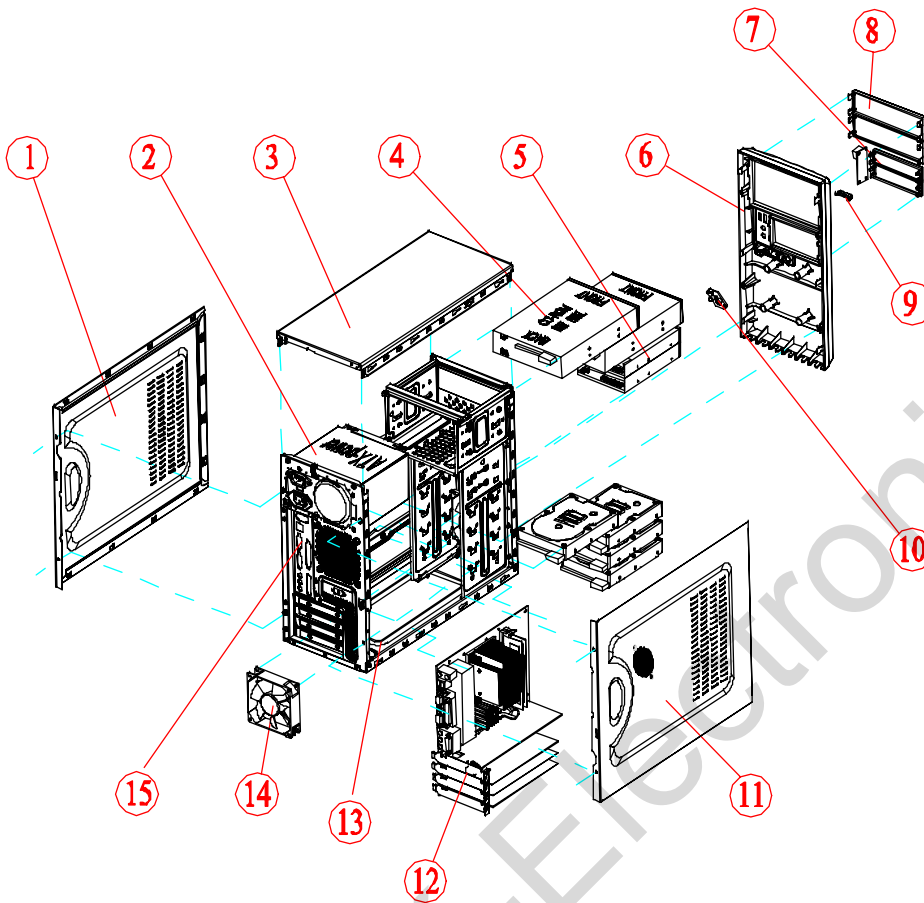
FRU (Field Replaceable Unit) List

This chapter gives you the FRU (Field Replaceable Unit) listing in global configurations of **Aspire SA85 / AcerPower S285**. Refer to this chapter whenever ordering for parts to repair or for RMA (Return Merchandise Authorization).

NOTE: Please note WHEN ORDERING FRU PARTS, that you should check the most up-to-date information available on your regional web or channel (<http://aicsl.acer.com.tw/spl/>, if you do not own a specific account, you can still access the system with guest; guest). For whatever reasons a part number change is made, it will not be noted in the printed Service Guide. For ACER-AUTHORIZED SERVICE PROVIDERS, your Acer office may have a DIFFERENT part number code to those given in the FRU list of this printed Service Guide. You MUST use the local FRU list provided by your regional Acer office to order FRU parts for repair and service of customer machines.

www MK-Electronics

Exploded Diagram



ITEM	Description	P/N
1	Right Side Cover	21A21-135
2	Power supply	
3	Top Cover (Painted)	21A21-136
4	CD-ROM	
5	FDD	
6	FRONT BEZEL	
7	3.25 COVER	20396-001
8	5.25 COVER	21273-113
9	Power Station	
10	Leg Holder	
11	Left Side Cover	21A21-139
12	Mother Board	
13	CHASSIS SUB ASSY	
14	SYSTEM FAN	
15	I/O SHIELD	

Parts

PART NAME	DESCRIPTION	P/N
BOARD		
USB/ AUDIO DAUGHTER BOARD	USB BOARD	55.S26VF.001
READER		
9-IN-1 CARD READER MODULE 3.5 IN. KYE	ID03	PZ.00908.001
3.5" 9-in-1 card reader, with new USB cable	ID03	PZ.00908.002
USB 2.0 card reader+1394+IR, w/i housing, w/i 1394 cable+USB cable	CR503U2	PZ.CR50J.001
CABLE		
IDE HDD CABLE ATA66 40PIN	HDD DATA CABLE	50.P06VF.001
LED CABLE ASSY (POWER SWITCH CABLE, POWER LED CABLE, HDD LED CABLE)	LED CABLE ASSY	50.P04VF.003
AUDIO CABLE 8PIN 2CON	AUDIO CABLE	50.P04VF.001
FRONT INTERNAL USB CABLE	USB CABLE	50.P04VF.002
IDE CD-ROM CABLE ATA66 40PIN	CDROM DATA CABLE	50.P06VF.002
FDD CABLE	FDD CABLE	50.S30VF.001
COM2 CABLE	COM2 CABLE	50.V13VF.001
CASE/COVER/BRAKETS ASSEMBLY		
FRONT BEZEL W/ POWER BUTTON, 5.25" 3.5" EMPTY COVER LED CABLE (S43 BEZEL)	S43 BEZEL SUB ASSY	60.S26VF.001 (Aspire SA60)
FRONT BEZEL W/ POWER BUTTON, 5.25" 3.5" EMPTY COVER (S42 BEZEL)	S42 BEZEL SUB ASSY (1 FDD COVER, 1 CD-COVER)	60.S17VF.001 (Aspire SA60)
FRONT BEZEL W/ POWER BUTTON, 5.25" 3.5" EMPTY COVER, LED CABLE (S42 BEZEL)	S42 BEZEL SUB ASSY (2 FDD COVER, 2 CD-COVER)	60.S30VF.001 (Aspire SA60)
POWER BUTTON	POWER-BUTTON (PAINTED)	42.S17VF.001 (Aspire SA60)
FRONT BEZEL W/ POWER BUTTON, 5.25" 3.5" EMPTY COVER USB DOOR	S1 BEZEL ASSY	60.P04VF.001 (AcerPower S260)
POWER BUTTON (SILVER)	POWER-BUTTON (PAINTED)	42.P05VF.001 (AcerPower S260)
FRONT BEZEL W/ POWER BUTTON, 5.25" 3.5" EMPTY COVER (S44 BEZEL)	S44 bezel assy	60.P23VF.001 (AcerPower S260)
SWITCH HOLDER	SWITCH HOLDER	42.P23VF.001 (AcerPower S260)
POWER BUTTON	POWER BUTTON (ELECTRO PLANT)	42.P23VF.002 (AcerPower S260)
SIDE DOOR	LEFT SIDE COVER (PAINTED)	60.S30VF.001
SIDE DOOR	RIGHT SIDE COVER (PAINTED)	60.P05VF.002
CHASSIS W/O I/O SHIELD	S100 SUB CASE ASSY(W/O IO SHIELD)	60.P05VF.003
I/O BRACKET	COVER SLOT	33.RC9VF.004
EMPTY COVER FOR 5.25" DEVICE	5.25" FILLER PANEL	42.S03VF.004
FILLER COVER FOR 3 1/2" DEVICE	3.5" FILLER PANEL	42.S03VF.005

PART NAME	DESCRIPTION	P/N
I/O SHIELD	I/O SHIELD ASSY	PZ.P2308.001
RETENTION MODULE	RETENTION MODULE	42.P05VF.002
FOOT STAND		
RUBBER FOOT	RUBBER FOOT	47.V02VF.701
CD-ROM DRIVE		
CD-ROM 52X LITEON LTN-529S LF BLACK	52X CD-ROM , LITEON LTN-529S , LF , BLACK COLOR	KD.05209.005
CD-RW		
HLDS 52X/32X/52X	GCE-8527B , LF w/ DASP	KR.0320C.001
COMBO DRIVE		
Lite-On 52X	SOHC-5236V , LF w/ DASP	KO.05209.010
COMBO DRIVE 52X HLDS GCC-4522B LF BLACK	COMBO DRIVE 52X HLDS GCC-4522B LF BLACK	KO.0520A.003
COMBO DRIVE 52X LITEON SOHC-5236K LF BLACK	COMBO DRIVE 52X LITEON SOHC-5236K LF BLACK	KO.0520B.003
DVD-ROM DRIVE		
DVD-ROM DRIVE 16X/52X HLDS GDR-8163B BLACK F/W 0120	DVD-ROM DRIVE 16X/52X HLDS GDR-8163B BLACK	KV.0160D.005
DVD-ROM 16X LITEON SOHD-16P9S LF BLACK	DVD-ROM 16X LITEON SOHD-16P9S LF BLACK	KV.01604.007
DVD-ROM 16X PIONEER DVD-123RD LF BLACK	DVD-ROM 16X PIONEER DVD-123RD LF BLACK	KV.01605.005
PIONEER 16X	DVD-122CHG	KV.01605.004
DVD RW DRIVE		
SUPERMULTI PLUS 16X HLDS GSA-4163B F/W A102 BLACK	SUPERMULTI PLUS 16X DVD HLDS GSA-4163B F/W A102 BLACK	KU.0160D.005
SUPER MULTI,HLDS 16X HLSD GSA-4165B LF BLACK	SUPER MULTI,HLDS 16X HLSD GSA-4165B LF BLACK	KU.0160D.007
DVD DUAL DRIVE		
DVD DUAL 16X PIONEER DVR-109RA LF BLACK F/W 1.40	16X DVD DUAL (DL), PIONEERDVR-109RA . LF , BLACK COLOR	KU.01605.002
Lite-On 16X DVD Dual	SOHW-1633S (black)	KU.01604.002
DVD DUAL (DL) 16X LITEON SHOW-1673S BLACK	DVD DUAL (DL) 16X LITEON SHOW-1673S BLACK	KU.01604.005
DVD DUAL 16X HLDS GWA-4164B LF BLACK	DVD DUAL 16X HLDS GWA-4164B LF BLACK	KV.0160D.006
BTC 16X DVD Dual	DRW1116	BC.11161.M01
FAN SINK		
FANSINK FOR NW>=3.0G/PRESCOTT <= 3.4GHZ (SOCKET 478) FOXCONN PKP251GB1D12+DELTA FAN AFB0712	FOXCONN FAN SINK FOR NW>=3.0G OR PSC CPU (PKP251GB1D12+FAN AFB0712)	HI.2510C.001
SYSTEM 92X92X25MM 2200RPM SUNON KDE1209PTV3	SYSTEM FAN 92X92X25MM 2200RPM, KDE1209P	HI.S150F.001
FAN DUCK	FAN DUCK ASSY	PZ.P0608.002
CPU/PROCESSOR		

PART NAME	DESCRIPTION	P/N
Smithfidle Pentium D 820 (2.8G 2x1M 800FSB)	HH80551PG0722M	KC.D0001.820
670, P4 3.8GHz, 800MHz FSB, 2MB L2 Cache	JM80547PG1122M	KC.D0001.670
660, P4 3.6GHz, 800MHz FSB, 2MB L2 Cache	JM80547PG1042M	KC.D0001.660
650, P4 3.4GHz, 800MHz FSB, 2MB L2 Cache	JM80547PG0962M	KC.D0001.650
640, P4 3.2GHz, 800MHz FSB, 2MB L2 Cache	JM80547PG0882M	KC.D0001.640
630, P4 3.0GHz, 800MHz FSB, 2MB L2 Cache	JM80547PG0802M	KC.D0001.630
P4 541 (3.2G 1M 800FSB, EM64T) 1M L2 Cache	JM80547PG0881M	KC.DE001.541
P4 531 (3.0G 1M 800FSB, EM64T) 1M L2 Cache	JM80547PG0801M	KC.DE001.531
P4 521 (2.8G 1M 800FSB, EM64T) 1M L2 Cache	JM80547PG0721M	KC.DE001.521
P4 519K (3.06G 1M 533FSB, EM64T) (E-0)	JM80547PE0831M	KC.DE001.519
P4 516 (2.93G 1M 533FSB, EM64T) (E-0)	JM80547PE0771M	KC.DE001.516
Celeron D 351 (3.2G 256K 533FSB LGA775, EM64T)	JM80547RE088CN	KC.D0001.351
Celeron D 346 (3.06G 256K 533FSB LGA775, EM64T)	JM80547RE083CN	KC.D0001.346
Celeron D 341 (2.93G 256K 533FSB LGA775, EM64T)	JM80547RE077CN	KC.D0001.341
Celeron D 336 (2.8G 256K 533FSB LGA775, EM64T)	JM80547RE07CN	KC.D0001.336
Celeron D 331 (2.66G 256K 533FSB LGA775, EM64T)	JM80547RE067CN	KC.D0001.331
Celeron D 326 (2.53G 256K 533FSB LGA775 , EM64T)	JM80547RE061CN	KC.D0001.326
FDD/FLOPPY DISK DRIVE		
FDD 1.44MB PANASONIC JU-256A198PC BLACK	FDD,PANASONIC,JU-256A198PC BLACK	KF.25602.003
ADD-ON CARD		
VGA CARD LEADTEK GEFORCE FX5200SE/C/128MB/VGA+PAL(NZ)/ATX	VGA LEAADTEK FX5200SE 128MB	VG.521SE.128
VGA CARD GF 4M X4000/C/32MB/VGA + PAL(NZ)/HEATSINK	VGA,GF4MX4000/C/32MB,PAL,LEADTEK	VG.29304.005
VGA CARD ATI RADEON 9550 128MB 64BIT DSUB TVO+ DVI PAL ATX BRACKET SAPPHIRE 1024-HC20-0D-AC	VGA CARD ATI RADEON 9550 128MB 64BIT DSUB TVO+ DVI PAL ATX BRACKET SAPPHIRE 1024-HC20-0D-AC	VG.9550B.001
ATI RADEON 9550 128MB 64BIT DSUB TV OUT + DVI NTSC ATX BRACKET SAPPHIRE	ATI RADEON 9550 128MB 64BIT DSUB TV OUT + DVI NTSC ATX BRACKET SAPPHIRE	VG.9550B.002
VGA CARD SP ATI9250 RC26 128MB 64BIT(MEZZA) TVO+D+V PAL W/ATX BTK SAPPHIRE	GA CARD SP ATI9250 RC26 128MB 64BIT(MEZZA) TVO+D+V PAL W/ATX BTK SAPPHIRE	VG.9250B.001

PART NAME	DESCRIPTION	P/N
VGA CARD SP ATI9250 RC26 128MB 64BIT(MEZZA) TVO+D+V NTSC W/ATX BTK SAPPHIRE	VGA CARD SP ATI9250 RC26 128MB 64BIT(MEZZA) TVO+D+V NTSC W/ATX BTK SAPPHIRE	VG.9250B.002
GEFORCE MX4000 64M/32BIT , DB3376	GEFORCE MX4000 64M/32BIT , DB3376	4221.BLD02.283
GEFORCE FX5200 128M/64BIT ,DB3360	GEFORCE FX5200 128M/64BIT ,DB3360	4221.F5200.283
MODEM CARD 56K D-1156I#/A1A WITH ATX BRACKET LITEON	MODEM CARD 56K D-1156I#/A1A WITH ATX BRACKET LITEON	FX.56I02.010
POINTING DEVICE		
CORDED MOUSE PS2 2 BUTTON WHEEL GENIUS NETSCROLL BLACK	CORDED MOUSE PS2 2 BUTTON WHEEL GENIUS NETSCROLL BLACK	MS.PSE04.008
PS2 NETSCROLL(LEAD-FREE) MOUSE-BLACK KYE	PS2 NETSCROLL(LEAD-FREE) MOUSE-BLACK KYE	MS.NET04.002
MOUSE PS/2 WHEEL ACER(002) GENIUS POWERSROLL WHITE	GENIUS POWERSROLL PS/2 BALL ACER(002)	MS.PSE04.003
PS/2 BALL MOUSE M-SBJ96 BLACK LOGITECH	PS/2 BALL MOUSE M-SBJ96 BLACK LOGITECH	MS.SBJ01.001
PS/2 BALL MOUSE M-SBJ96 BLACK W/ STK LABEL LOGITECH	PS/2 BALL MOUSE M-SBJ96 BLACK W/ STK LABEL LOGITECH	MS.SBJ01.002
PS/2 BALL MOUSE, SBJ69, LEAD-FREE, BLACK	PS/2 BALL MOUSE, SBJ69, LEAD-FREE, BLACK	MS.SBJ01.003
PS/2 BALL MOUSE, SBJ69, LEAD-FREE, W/ STK LABEL , BLACK	PS/2 BALL MOUSE, SBJ69, LEAD-FREE, W/ STK LABEL , BLACK	MS.SBJ01.004
PS/2 OPTICAL MOUSE	PS/2 OPTICAL MOUSE	MS.PS201.001
USB OPTICAL MOUSE 2 BUTTON+WHEEL(SILVER) M-UV ACR1	USB OPTICAL MOUSE 2 BUTTON+WHEEL(SILVER) M-UV ACR1	MS.MUV01.001
USB OPTICAL MOUSE, 2 BUTTON+WHEEL (SILVER) WITH CORE AND NEW CABLE LOGITECH	MOUSE USB OPTICAL W/CORE BK LOGITECH	MS.MUV01.002
USB OPTICAL MOUSE MUV-ACR1 W/ STK LABEL LOGITECH	USB OPTICAL MOUSE MUV-ACR1 W/ STK LABEL LOGITECH	MS.MUV01.003
USB OPTICAL MOUSE, MUV ACR1(BLACK),LEAD-FREE	USB OPTICAL MOUSE, MUV ACR1(BLACK),LEAD-FREE	MS.MUV01.004
USB OPTICAL MOUSE, MUV ACR1, LEAD-FREE, W/ STK LABEL LOGITECH	LOGITECH USB OPTICAL MOUSE, MUV ACR1, LEAD-FREE, W/ STK LABEL	MS.MUV01.005
MOUSE USB WHEEL OPTICAL POWERSROLL EYEUSB ACER (002) GENIUS WHITE	MOUSE USB WHEEL OPTICAL POWERSROLL EYEUSB ACER (002)	MS.PSE04.001
CORDED MOUSE USB WHEEL STANDARD GENIUS BLACK	MOUSE SCROLL WHEEL USB BK KYE ACER	MS.PSE04.007
MOUSE USB WHEEL STANDARD POWERSROLL ACER (002) GENIUS	MOUSE USB WHEEL STANDARD POWERSROLL ACER (002)	MS.PSE04.004
KEYBOARD		
KEYBOARD US PS/2 LITEON SK1688	KEYBOARD US PS/2 LITEON SK1688	KB.6880B.001
KEYBOARD T.CHINESE PS/2 LITEON SK-1688	KEYBOARD T.CHINESE PS/2 LITEON SK-1688	KB.6880B.002
PS/2 KEYBOARD, KBP2971, US VER., 104KEYS	PS/2 KEYBOARD, KBP2971, US VER., 104KEYS	KB.KBP03.066

PART NAME	DESCRIPTION	P/N
PS/2 KEYBOARD, KBP2971, T.CHINESE VER., 104KEYS	PS/2 KEYBOARD, KBP2971, T.CHINESE VER., 104KEYS	KB.KBP03.067
PS/2 KEYBOARD, KBP2971,BLACK, S.CHINESE VER., 104KEYS	PS/2 KEYBOARD, KBP2971,BLACK, S.CHINESE VER., 104KEYS	KB.KBP03.125
PS/2 KEYBOARD, KBP2971, THAI VER., 104KEYS	PS/2 KEYBOARD, KBP2971, THAI VER., 104KEYS	KB.KBP03.069
PS/2 KEYBOARD, KBP2971, CANADIAN/FRENCH VER., 105KEYS	PS/2 KEYBOARD, KBP2971, CANADIAN/FRENCH VER., 105KEYS	KB.KBP03.072
PS/2 KEYBOARD, KBP2971, SPANISH VER., 105KEYS	PS/2 KEYBOARD, KBP2971, SPANISH VER., 105KEYS	KB.KBP03.083
USB KB(SILVER), KU0355, US VER., 104KEYS	USB KB(SILVER), KU0355, US VER., 104KEYS	KB.KUP03.034
USB KB(SILVER), KU0355, T.CHINESE VER., 104KEYS	USB KB(SILVER), KU0355, T.CHINESE VER., 104KEYS	KB.KUP03.035
USB KB (SILVER), KU0355, THAI VER., 104 KEYS	USB KB (SILVER), KU0355, THAI VER., 104 KEYS	KB.KUP03.038
USB KB (SILVER), KU0355, SPANISH VER., 105 KEYS	USB KB (SILVER), KU0355, SPANISH VER., 105 KEYS	KB.KUS03.002
USB KEYBOARD, KU0355, CANADIAN/FRENCH VER., 105KEYS	USB KEYBOARD, KU0355, CANADIAN/FRENCH VER., 105KEYS	KB.KUS03.009
HDD/HARD DISK DRIVE		
Seagate Tonka1 200G PATA 7200RPM 8MB (Rohs)	ST3200826A	KH.20001.004
Seagate Alpine 40G 7200RPM PATA HDD / 2MB (RoHS)	ST340014A	KH.04001.017
Seagate Alpine 80G 7200RPM PATA HDD / 2MB (RoHS)	ST380011A	KH.08001.017
Seagate Alpine 120G 7200RPM PATA HDD / 2MB (RoHS)	ST3120022A	KH.12001.018
Seagate Alpine 160G 7200RPM PATA HDD / 2MB (RoHS)	ST3160021A	KH.16001.014
WD XL80II 200G 7200RPM PATA HDD / 2MB (RoHS)	WD200BB-22GUC0	KH.20008.009
WD XL80II 160G 7200RPM PATA HDD / 2MB (RoHS)	WD1600BB-22GUC0	KH.16008.009
WD XL80SDII 120G 7200RPM PATA HDD / 2MB (RoHS)	WD1200BB-22GUC0	KH.12008.009
WD XL80SDII 120G 7200RPM PATA HDD / 2MB (RoHS)	WD800BB-22JHC0	KH.08008.017
WD XL80SDII 40G 7200RPM PATA HDD / 2MB (RoHS)	WD400BB-22JHC0	KH.04008.017
SATA		
Seagate Alpine / Puma 80G 7200RPM SATA 1.5G HDD / 8MB (RoHS)	ST380013AS	KH.08001.016
Seagate Alpine / Puma 120G 7200RPM SATA 1.5G HDD / 8MB (RoHS)	ST3120026AS	KH.12001.017
Seagate Alpine / Puma 160G 7200RPM SATA 1.5G HDD / 8MB (RoHS)	ST3160023AS	KH.16001.013

PART NAME	DESCRIPTION	P/N
Seagate Alpine 200G 7200RPM SATA 1.5G HDD / 8MB	ST3200822AS	KH.20001.003
Seagate Tonka1 200G 7200RPM SATA 1.5G HDD / 8MB (RoHS)	ST3200826AS	KH.20001.005
Seagate Tonka1 250G 7200RPM SATA 1.5G HDD / 8MB (RoHS)	ST3250823AS	KH.25001.004
Seagate Tonka1 300G 7200RPM SATA 1.5G HDD / 8MB (RoHS)	ST3300831AS	KH.30001.006
Seagate Tonka1 400G 7200RPM SATA 1.5G HDD / 8MB (RoHS)	ST3400832AS	KH.40001.004
WD XL80SDII 80G 7200RPM SATA 1.5G HDD / 8MB (RoHS)	WD800JD-22JNC0	KH.08008.019
WD XL80II 120G 7200RPM SATA 1.5G HDD / 8MB (RoHS)	WD1200JD-22HBC0	KH.12008.011
WD XL80II 160G 7200RPM SATA 1.5G HDD / 8MB (RoHS)	WD1600JD-22HBC0	KH.16008.011
WD XL80II 250G 7200RPM SATA 1.5G HDD / 8MB (RoHS)	WD2500JD-22HBC0	KH.25008.010
WD XL80II 200G 7200RPM SATA 1.5G HDD / 8MB (RoHS)	WD2000JD-22HBC0	KH.20008.011
WD XL80III 80G 7200RPM SATAII 3.0G HDD / 2MB (RoHS) (non-NCQ)	WD800BD-22LRA0	KH.08008.022
WD XL80III 80G 7200RPM SATAII 3.0G HDD / 8MB (RoHS) (non-NCQ)	WD800JD-22LSA0	KH.08008.023
WD XL80III 120G 7200RPM SATAII 3.0G HDD / 8MB (RoHS) (non-NCQ)	WD1200JS-22MHB0	KH.12008.012
WD XL80III 160G 7200RPM SATAII 3.0G HDD / 8MB (RoHS) (non-NCQ)	WD1600JS-22MHB0	KH.16008.012
WD XL80III 200G 7200RPM SATAII 3.0G HDD / 8MB (RoHS) (non-NCQ)	WD2000JS-22MHB0	KH.20008.012
WD XL80III 250G 7200RPM SATAII 3.0G HDD / 8MB (RoHS) (non-NCQ)	WD2500JS-22MHB0	KH.25008.011
HGST Pathfinder 80G 7200RPM SATA 3.0G HDD / 8MB (RoHS)	HDS728080PLA380	KH.08007.010
HGST Vancouver IV 160G 7200RPM SATA 3.0G HDD / 8MB (RoHS)	HDT722516DLA380	KH.16007.006
HGST Vancouver IV 250G 7200RPM SATA 3.0G HDD / 8MB (RoHS)	HDT722525DLA380	KH.25007.004
HGST Vancouver IV 400G 7200RPM SATA 1.5G HDD / 8MB (RoHS)	HDS724040KLSA80	KH.40007.004
MAINBOARD		
SiS 661FX + SiS 964, LGA 775	E661FXM	MB.P3007.001
Rear I/O Shielding	Rear I/O Shielding FOR E661FXM	PZ.P3004.001
MB E661FXM + Rear I/O Shielding + Retention Module	MB Kit	MB.P3007.002
SiS 661FX + SiS964, LGA 775(WI Acer logo)	E661FXM	MB.P3007.003

PART NAME	DESCRIPTION	P/N
MB E661FXM(WI Acer logo)+Rear I/O Shielding + Retention Module	MB Kit	MB.P3007.004
MEMORY		
MEMORY DDR 400 256MB PQI MDAD-302HA	MDAD-302HA	KN.2560K.001
MEMORY DDR 400 512MB PQI MDAD-402HA	MDAD-402HA	KN.5120K.001
MEMORY DDR 400 256MB SUPER ELIXIR M1U25664DS88C3G-5T	M1U25664DS88C3G-5T	KN.25603.021
MEMORY DDR 400 512MB SUPER ELIXIR M1U51264DS8HC3G-5T	M1U51264DS8HC3G-5T	KN.51203.019
MEMORY DDR 400 256MB NANYA NT256D64S88C0G-5T (0.11) 32MX8	NT256D64S88C0G-5T (0.11)	KN.25603.016
MEMORY DDR 400 512MB NANYA NT512D64S8HC0G-5T (0.11U) 32MX8	NT512D64S8HC0G-5T (0.11 U)	KN.51203.013
MEMORY DDR 400 256MB HYNIX HYMD232646D8R-D43PQ	HYMD232646D8R-D43PQ	KN.2560G.003
MEMORY DDR 400 512MB HYNIX HYMD264646D8R-D43PQ	HYMD264646D8R-D43PQ	KN.5120G.002
MEMORY DDR 400 1GMB INFINEON HYS64D128320HU-5-B	HYS64D128320HU-5-B	KN.1GB02.008
MEMORY DDR 400 256MB INFINEON HYS64D32300HU-5-C (.11U/GREEN)	HYS64D32300HU-5-C (.11U/GREEN)	KN.25602.013
MEMORY DDR 400 512MB INFINEON HYS64D64320HU-5-C (.11U/GREEN)	HYS64D64320HU-5-C (.11U/GREEN)	KN.51202.012
MEMORY DDR 400 128MB APACER	128MB DDR401 PSC CHIP	75.7449C.571
MEMORY DDR 400 256MB APACER	256MB DDR400 PSC CHIP	77.10639.53G
MEMORY DDR 400 512MB APACER	512MB DDR400 PSC CHIP	77.10739.53G
POWER SUPPLY		
300W non-PFC (new)	FSP300-60THA(1)(V)	PY.30008.011
300W for PFC (new)	FSP300-60THA(1PF)(V)	PY.30008.012
300W for non-PFC	PS-6301-08A	PY.3000B.001
300W for PFC	PS-6301-08AP	PY.3000B.002
FSP Power Supply ATX-250PAF (PFC)	ATX 250PAF	PY.25008.011
FSP Power Supply ATX-250PA (non-PFC)	ATX 250PA	PY.25008.012
SCREW		
FDD, USB BOARD SCREW	SCREW M3*6(FDD,USB BOARD,OPTICAL DRIVE)	86.PSPVF.001
SCREW#6-32UNC	SCREW#6-32UNC	86.RC9VF.001
SCREW #6-32	SCREW #6-32	86.P05VF.001
SCREW FOR FAN	SCREW FOR FAN	86.P06VF.001
SPEAKER		
SPEAKER USB 3" *2 NEOSONICA 510 THYME510 WHITE	SPEAKER,USB 3" *2, 510,NEOSONICA	SP.51004.001
SPEAKER USB 3" *2 NEOSONICA THYME510 BLACK	SPEAKER,USB 3"FULL RANG CONE,THYME510	SP.51004.003

PART NAME	DESCRIPTION	P/N
SPEAKER 2.0 USB M-1118B ACER LOGO	2.0 SPEAKER, USB, M-1118B, ACER LOGO	SP.11805.001
SPEAKER 2.0 USB M-1118B ACER LOGO W/STK LABEL	2.0 SPEAKER, USB, M-1118B, ACER LOGO, WITH STK LABEL	SP.11805.002