

**Electronic Accessories**
**Cable (Interface)**

5063-1254	IEEE-1284 Bi-Tronics parallel cable - DB-25 (M) connector (type A) to 36 pin high density IEEE-1284C (M) connector (type C) - 3.0m (9.8ft) long
5063-1255	IEEE-1284 Bi-Tronics parallel cable - DB-25 (M) connector (type A) to 36 pin high density IEEE-1284C (M) connector (type C) - 10m (33ft) long
C2946A	IEEE-1284 Bi-Tronics parallel cable - DB-25 (M) connector (type A) to 36 pin high density IEEE-1284C (M) connector (type C) - 3.0m (9.8ft) long
C2947A	IEEE-1284 Bi-Tronics parallel cable - DB-25 (M) connector (type A) to 36 pin high density IEEE-1284C (M) connector (type C) - 10m (33ft) long
C6680-80003	IEEE-1284 Bi-Tronics parallel cable - DB-25 (M) connector (type A) to 36 pin high density IEEE-1284C (M) connector (type C) - 2.0m (6.6ft) long

**Electronics/Power Supply**
**Cable**

C4557-60022	Cable assembly - An 11 pin (F) connector to two 3 pin (F) connectors and a 7 pin (F) connector - 36.8cm (14.5 inches) long
C4557-80075	Carriage assembly flex cable - 40.3cm (15.9 inches) long
C5870-60140	Cable assembly - 12 pin (F) connector, 5 pin (F) connector, and 7 pin (F) connector - 43.9cm (17.3 inches) long
C6680-60002	Scanner motor cable
C6680-60057	Ribbon cable - Has 10 pin (M) connectors - 71.8cm (28.3 inches) long
C6680-80002	Ribbon cable - Has 26 pin (M) edge connectors - 15.5cm (6.1 inches) long
C6680-80010	Cable assembly - 16 pin (F) connector to 34.9cm (13.8 inch) cable with 3 pin (F) connector, 56.6cm (22.3 inch) cable with 3 pin (F) connector, 59.4cm (23.4 inch) cable with 7 pin (F) connector, and 61cm (24 inch) cable with 5 pin (F) connector
C6680-80050	Scanner module trailing cable - Has 20 pin (M) edge connectors - 42.9cm (16.9 inches) long

**PC Board**

C4557-60062	Banner PCA and cable assembly
C6409-60200	Paper encoder PCA - Controls operation of paper motor
C6409-60237	Ink cartridge carriage PC board
C6680-60202	Interconnect PC board
C6680-68002	Main logic PC board

**Power Cord**

8120-6260	Power cord (Black) - 18 AWG, 1.0m, 120V (3.3ft) long - Has straight (F) receptacle - (For USA, Canada, Taiwan, Latin America, Saudi Arabia)
8120-6261	Power cord (Black) - 17 AWG, 1.0m (3.3ft) - Has straight (F) receptacle (For 240V in the UK and Ireland)
8120-6262	Power cord (Black) - 18 AWG 3-wire, 1.0m (3.3ft) - Has straight (F) receptacle - 240V Europe (except Denmark, Ireland and Switzerland)
8120-8878	Power cord (Black) - 17 AWG, 1.0m (3.3ft) long - Has straight (F) receptacle (For 220V in Argentina)
8120-8879	Power cord (Black) - 17 AWG, 1.0m (3.3ft) long - Has straight (F) receptacle (For 240V in Australia)
8120-8880	Power cord (Black) - 17 AWG, 1.0m (3.3ft) long - Has straight (F) receptacle (For 220V in Chile)
8120-8881	Power cord (Black) - 17 AWG 3-wire, 1.0m (3.3ft) long - Has straight (F) receptacle (For 220V in Denmark)
8120-8882	Power cord (Black) - 17 AWG 3-wire, 1.0m (3.3ft) long - Has straight (F) receptacle (For 240V in the UK, Hong Kong, Singapore, and Ireland)
8120-8883	Power cord (Black) - 17 AWG, 1.0m (3.3ft) long - Has straight (F) receptacle (For 220V in Israel)
8120-8884	Power cord (Black) - 17 AWG, 1.0m (3.3ft) long - Has straight (F) receptacle (For 220V in Korea)
8120-8885	Power cord (Black) - 17 AWG 3-wire, 1.0m (3.3ft) long - Has straight (F) receptacle (For 220V in Switzerland)
8120-8886	Power cord (Black) - 17 AWG 3-wire, 1.0m (3.3ft) long - Has straight (F) receptacle (For 240V in South Africa, Israel, and India)
8121-0564	Power cord (Black) - 2.0m (6.6ft) long - Has straight (F) receptacle (For 240V in India)

**Electronics/Power Supply**
**Power Module**

- 32 0950-2880 Power supply module (Delta ADP-45TB) - 100-240VAC input, 50/60Hz, 1.0A max, 82-111VA, requires separate AC power cord - 18VDC output, 2.23A, 45 watts

**Power Module Kit**

- 33 C6680-60079 Power module and power cord kit - For CREW program only  
 NO LONGER SUPPLIED

**External Case Parts**
**Bezel**

- 34 C6680-60035 Control panel bezel - Installed over the control panel - English  
 35 C6680-60037 Control panel bezel - Installed over the control panel - French

**Control Panel**

- 36 C6680-60082 Control panel (Keypad) assembly - Does NOT include cable

**Control Panel Kit**

- 37 C6680-60071 Control panel (Keypad) assembly kit - Does NOT include cable - For CREW program only

**Cover**

- 38 C6680-40100 Top cover (Document cover) - Does not include foam pad  
 NO LONGER SUPPLIED  
 C6680-60027 *New Part for C6680-40100*  
 39 C6680-60027 Top cover (Document cover) assembly - Includes cover, foam pad, and hinge

**Door**

- 40 C6680-60014 Pen access door assembly - Lift up access door for changing print cartridges - Includes door and latch  
 41 C6680-60065 Rear paper jam cleanout door assembly

**Door Kit**

- 42 C6680-60070 Rear cleanout door assembly kit - Paper jam cleanout door - For CREW program only

**Foot**

- 43 C4557-40118 Rubber foot

**Hinge**

- 44 C6680-40101 Hinge - For the top cover (Document lid) on the scanner

**Nameplate/Logo**

- 45 C6680-60068 Nameplate - OfficeJet R40 series  
 46 C6692-60030 Nameplate - C6692A OfficeJet R45

**Panel**

- 47 C6680-40021 Left side panel  
 48 C6680-40022 Right side panel  
 49 C6680-40026 Rear panel

**Other Accessories**
**CD-ROM (Support)**

- C6680-10020 Service manual on CD-ROM for printer/scanner/copier 500 series, color copier 160/170/260/270 and OfficeJet R series

**Cartridge**

- 50 51645A Black print cartridge (High capacity) - Prints approximately 840 pages based on 5% density on a 8 inch by 10 inch print area (for USA)  
 51 51645AA Black print cartridge (High capacity) - Prints approximately 840 pages based on 5% density on a 8 inch by 10 inch print area (for Asia/Pacific)  
 52 51645AC Black print cartridge (high capacity) - Prints approximately 840 pages based on 5% density on a 8 inch by 10 inch print area (for Canada)  
 53 51645AE Black print cartridge (high capacity) - Prints approximately 840 pages based on 5% density on a 8 inch by 10 inch print area (for Europe)



## Other Accessories

## Cartridge

54	51645AL	Black print cartridge (high capacity) - Prints approximately 840 pages based on 5% density on a 8 inch by 10 inch print area (for Latin America)
55	51645G	Black print cartridge (economy) - Prints approximately 415 pages based on 5% density on a 8 inch by 10 inch print area (for USA)
56	51645GA	Black print cartridge (economy) - Prints approximately 415 pages based on 5% density on a 8 inch by 10 inch print area (for Asia/Pacific)
57	51645GC	Black print cartridge (economy) - Prints approximately 415 pages based on 5% density on a 8 inch by 10 inch print area (for Canada)
58	51645GE	Black print cartridge (economy) - Prints approximately 415 pages based on 5% density on a 8 inch by 10 inch print area (for Europe)
59	51645GL	Black print cartridge (economy) - Prints approximately 415 pages based on 5% density on a 8 inch by 10 inch print area (for Latin America)
60	C1823A	Tri-color ink print cartridge - Prints approximately 475 pages based on 13.5% total density (4.5% for each colors) on a 8 inch by 10 inch print area (for USA)
	C1823D	<i>New Part for C1823A</i>
61	C1823AA	Tri-color ink print cartridge - Prints approximately 475 pages based on 13.5% total density (4.5% for each colors) on a 8 inch by 10 inch print area (for Asia/Pacific)
62	C1823AC	Tri-color ink print cartridge - Prints approximately 475 pages based on 13.5% total density (4.5% for each colors) on a 8 inch by 10 inch print area (for Canada)
63	C1823AE	Tri-color ink print cartridge - Prints approximately 475 pages based on 13.5% total density (4.5% for each colors) on a 8 inch by 10 inch print area (for Europe)
64	C1823AL	Tri-color ink print cartridge - Prints approximately 475 pages based on 13.5% total density (4.5% for each colors) on a 8 inch by 10 inch print area (for Latin America)
65	C1823D	Tri-color ink print cartridge - Prints approximately 360 pages based on 13.5% total density (4.5% for each color) on a 8 inch by 10 inch print area (for USA)
66	C1823DA	Tri-color ink print cartridge - Prints approximately 360 pages based on 13.5% total density (4.5% for each color) on a 8 inch by 10 inch print area (for Asia/Pacific)
67	C1823DC	Tri-color ink print cartridge - Prints approximately 360 pages based on 13.5% total density (4.5% for each color) on a 8 inch by 10 inch print area (for Canada)
68	C1823DE	Tri-color ink print cartridge - Prints approximately 360 pages based on 13.5% total density (4.5% for each color) on a 8 inch by 10 inch print area (for Europe)
69	C1823DL	Tri-color ink print cartridge - Prints approximately 360 pages based on 13.5% total density (4.5% for each color) on a 8 inch by 10 inch print area (for Latin America)
70	C1823G	Tri-color ink economy print cartridge - Prints approximately 180 pages based on 13.5% total density (4.5% for each color) on a 8 inch by 10 inch print area (for USA)
71	C1823GA	Tri-color ink economy print cartridge - Prints approximately 180 pages based on 13.5% total density (4.5% for each color) on a 8 inch by 10 inch print area (for Asia/Pacific)
72	C1823GE	Tri-color ink economy print cartridge - Prints approximately 180 pages based on 13.5% total density (4.5% for each color) on a 8 inch by 10 inch print area (for Europe)
73	C1823GL	Tri-color ink economy print cartridge - Prints approximately 180 pages based on 13.5% total density (4.5% for each color) on a 8 inch by 10 inch print area (for Latin America)
74	C1823T	Tri-color ink cartridges (2 pack of C1823D) - Each prints approximately 360 pages on 13.5% total density (4.5% for each color) on a 8 inch by 10 inch print area (for USA)
75	C1823TA	Tri-color ink cartridges (2 pack of C1823D) - Each prints approximately 360 pages on 13.5% total density (4.5% for each color) on a 8 inch by 10 inch print area (for Asia/Pacific)
76	C1823TE	Tri-color ink cartridges (2 pack of C1823D) - Each prints approximately 360 pages on 13.5% total density (4.5% for each color) on a 8 inch by 10 inch print area (for Europe)
77	C1823TL	Tri-color ink cartridges (2 pack of C1823D) - Each prints approximately 360 pages on 13.5% total density (4.5% for each color) on a 8 inch by 10 inch print area (for Latin America)
78	C6613AN	Black print cartridges (High capacity) - (2 pack of 51645A) each prints approximately 840 pages based on 5% density on a 8 inch (20.3cm) by 10 inch (25.4cm) print area (for USA) NO LONGER SUPPLIED

**Other Accessories**
**Cartridge**

79	C6618AN	Tri-color ink cartridges (2 pack of C1823D) - Each prints approximately 360 pages on 13.5% total density (4.5% for each color) on a 8 inch (20.3cm) by 10 inch (25.4cm) print area (for USA) NO LONGER SUPPLIED
----	---------	--

**Lubricant**

6040-0788	Silicon grease in a syringe
-----------	-----------------------------

**Return Kit**

5183-5268	Return kit with box and instructions - For returning defective Thermal InkJet (TIJ) 2.5 InkJet cartridges covered under the CREW program - For USA
5184-2833	Return kit with box and instructions - For returning defective Thermal InkJet (TIJ) 2.5 InkJet cartridges covered under the CREW program - For use outside of the USA

**Other Internal Parts**
**Brace**

84	C4557-40128	Left backBone brace - Provides support for backBone
85	C4557-40130	Left wall brace - Provides support for left wall
86	C5870-40020	Right backbone brace - Installed on right side of printer base to provide support for backbone

**Chassis**

87	C6680-40020	Middle chassis - Covers printer mechanism and provides the mounting platform for the scanner/control panel assembly
----	-------------	---

**Ferrite Assembly**

88	9170-1655	Ferrite core
89	9170-1821	Ferrite core - Attaches to the control panel ribbon cable
90	C6680-80042	Ferrite core - Attaches to the scanner ribbon cable

**Frame**

91	C5870-40039	Wing frame - Chassis for in/out tray components
----	-------------	---

**Latch**

92	C6680-40053	Latch (Wavy slot) - Allows the scanner assembly to pivot upward when opening the pen access door
----	-------------	--

**Shield**

93	C4557-00038	Paper motor ESD shield
94	C6680-00041	Main PC board shield (Upper)
95	C6680-60058	Main PC board shield (Lower)

**Spring**

96	C6680-80020	Door spring - Connects to the pen access door and holds the door open when changing the print cartridges
----	-------------	--

**Paper Tray Parts**
**Cam**

136	C4557-40034	Drawer cam - Short, spring loaded lever attached to the base of the wing frame - Used to draw input tray into position
-----	-------------	--

**Channel**

137	C5870-00006	Width adjust channel
-----	-------------	----------------------

**Door**

138	C4557-40026	Output door - Separates output media from input media
-----	-------------	---

**Drawer Kit**

139	C6680-60078	Paper input tray assembly kit (Complete - Purple) - Plugs into front paper output tray assembly - Entire assembly - For CREW program only
-----	-------------	---

**Guide**

140	C5870-40037	Length adjuster - Media input length adjuster NO LONGER SUPPLIED
141	C6409-40034	Left wall pusher - Pushes against left side of media to maintain correct edge alignment

## Paper Tray Parts

### Guide

142 C6410-40005 Width adjust (Purple) - Holds media against right wall of input tray

### Lever

143 C6411-40006 Banner lever - Used to choose either single sheet paper or continuous feed (Banner) paper  
NO LONGER SUPPLIED

### Pad

144 C4557-80027 Length adjust pad (Poron) - Mounted under the fine length adjuster

### Panel

145 C4557-40098 Paper tray left inner panel (Left cheek cap)

146 C4557-40099 Paper tray right inner panel (Right cheek cap)  
NO LONGER SUPPLIED

147 C4557-40116 Paper tray left outer panel (Left cheek)

148 C5870-40019 Paper tray right outer panel (Right cheek)

### Spring

149 C4557-00012 Right wing spring - Applies pressure to right wing during paper output  
NO LONGER SUPPLIED

C6409-00017 *New Part for C4557-00012*

150 C4557-00029 Left wall spring (Front) - Holds left wall assembly in position

151 C4557-00030 Left wall spring (Rear) - Provides pressure against media

152 C4557-00031 Paper length adjuster spring - Provides tension for paper input length adjuster

C6455-00011 *New Part for C4557-00031*

153 C4557-00035 Paper pusher spring - Maintains alignment in paper tray

154 C4557-20020 Envelope spring - Holds envelopes in position for picking

155 C6409-00017 Wing torsion spring - Provides pressure on the wing during paper output  
NO LONGER SUPPLIED

### Stop

156 C6410-40006 Fine paper length adjuster (Purple) - Holds paper firmly against the back of the paper input tray  
NO LONGER SUPPLIED

### Tray

157 C4557-60049 Paper input tray pressure plate

158 C5870-40028 Paper input tray base - Does not include the pressure plate assembly

### Tray Assembly

159 C5870-60081 Paper input tray assembly (partial) - Includes only base of tray and pressure plate assembly

160 C6410-60005 Paper input tray assembly (complete) - Entire assembly - Purple

161 C6411-60004 Paper tray left side assembly (Left cheek assembly) - Includes left cheek, banner PCA and cable assembly, banner switch lever  
NO LONGER SUPPLIED

### Wing

162 C4557-40024 Left wing - Holds printed paper after being ejected

163 C4557-40025 Right wing - Holds printed paper after being ejected

## Paper and Other Media

### Film (Transparency)

C3832A Premium InkJet transparency film - A4 size (21.0cm x 29.7cm) - 20 sheets per package

C3835A Premium InkJet transparency film - A4 size (21.0cm x 29.7cm) - 50 sheets per package

C6053A Premium InkJet rapid-dry transparencies - A4 size (21.0cm x 29.7cm) - 50 sheets per package  
NO LONGER SUPPLIED

C3828A Premium InkJet transparency film - A size (8.5 x 11-inches) - 20 sheets per package

**Paper and Other Media****Film (Transparency)**

- C3834A Premium InkJet transparency film - A size (8.5 x 11-inches) - 50 sheets per package
- C6051A Premium InkJet rapid-dry transparencies - A size (8.5 x 11-inches) - 50 sheets per package  
NO LONGER SUPPLIED

**Iron-On Transfers**

- C6049A Iron-on T-shirt transfers - A size (8.5 x 11-inches) - 10 sheets per package

**Paper**

- C6828A Greeting card paper pack (White) - A size (8.5 x 11-inches) - Felt textured - Includes 20 sheets and 20 envelopes
- C1812A Greeting card paper pack (White) - A size (8.5 x 11-inches) - Includes 20 sheets and 20 envelopes

**Paper (Banner)**

- C1820A Banner paper - A size (8.5 x 11-inches) - 24 lb - Perforated for easy separation - 100 sheets per pack

**Paper (Glossy)**

- C3833A Premium glossy InkJet paper - A size (8.5 x 11-inches) - 10 sheets per package
- C7020A Scored tri-fold glossy brochure paper - B size (11 x 17-inches)
- C6045A Glossy greeting cards - A4 size (21.0cm x 29.7cm) - 10 scored glossy cards and envelopes
- C6044A Glossy greeting cards - A size (8.5 x 11-inches) - 10 scored glossy cards and envelopes
- C6817A Professional glossy InkJet brochure and flyer paper - Glossy on both sides - A size (8.5 x 11-inches) - 50 sheets per box

**Paper (InkJet Photo)**

- C6983A Photo quality InkJet paper - With two sided semi-gloss finish - A size (8.5 x 11-inches) - 25 sheets per package
- C7007A Photo quality InkJet paper - With two sided matte finish - A size (8.5 x 11-inches) - 100 sheets per package

**Paper (InkJet)**

- 51634Z InkJet non-glossy LX paper - A4 size (21.0cm x 29.7cm) - 200 sheets per package
- C1825A Bright white InkJet paper - A4 size (21.0cm x 29.7cm) - 500 sheets per package
- C1853A Premium InkJet heavyweight paper - A4 size (21.0cm x 29.7cm) - Coated on both sides - 100 sheets per package
- C5977A Bright white InkJet paper - A4 size (21.0cm x 29.7cm) - 200 sheets per package
- C5977B Bright white InkJet paper - A4 size (21.0cm x 29.7cm) - 250 sheets per package
- 51634Y InkJet non-glossy LX paper - A size (8.5 x 11-inches) - 200 sheets per package
- C1824A Bright white InkJet paper - A size (8.5 x 11-inches) - 500 sheets per package
- C5976A Bright white InkJet paper - A size (8.5 x 11-inches) - 200 sheets per package
- C5976B Bright white InkJet paper - A size (8.5 x 11-inches) - 250 sheets per package

**Paper (Matte)**

- C7018A Matte greeting cards (White) - Half fold - A size (8.5 x 11-inches)
- C6955A Professional and flyer paper (Matte) - A size (8.5 x 11-inches) - 50 sheets

**Paper (Photo)**

- C6831A Premium plus glossy InkJet photographic paper - A size (8.5 x 11-inches) - 20 sheets per package
- C6944A Premium plus glossy InkJet photographic paper - 10.2cm (4in) x 15.2cm (6in) - 20 sheets per package
- C6950A Premium Plus matte inkjet photographic paper - A size (8.5 x 11-inches) - 20 sheets per package
- C6979A Premium glossy photo paper (fast dry time) - A size (8.5 x 11-inches) - 50 sheets per package
- C7013A Colorfast photo paper - A size (8.5 x 11-inches) - 20 sheets per package
- C6040A Premium glossy photo paper - A4 size (21.0cm x 29.7cm) - 15 sheets per package (Europe, Brazil, and Argentina)
- C1846A Photo paper - A size (8.5 x 11-inches) - 20 sheets per package
- C6039A Premium glossy photo paper (Fast dry time) - A size (8.5 x 11-inches) - 15 sheets per package

**Paper and Other Media****Paper (Textured)**

C7019A Textured greeting card - White half fold - A size (8.5 inches x 11 inches)

**Stickers**

C6822A Round re-stickable InkJet stickers - HP bright white 6.35cm (2.5in) round stickers with 3M 'Post-it' adhesive - A size (8.5 x 11-inches) - 10 sheets per package with nine stickers per sheet

C6823A Square re-stickable InkJet stickers - HP bright white 6.35cm (2.5in) square stickers with 3M 'Post-it' adhesive - A size (8.5 x 11-inches) - 10 sheets per package with nine stickers per sheet

**Print Mechanism Parts****Adjuster**

164 C6409-40021 Carriage rod adjuster - Used to support and align the carriage rod (2 used) - This item should be replaced only by trained, experienced service personnel  
NO LONGER SUPPLIED

**Backbone**

165 C6409-00013 BackBone - Large metal item where the main logic PCA and the carriage drive motor are mounted - This item should be replaced only by trained, experienced service personnel

**Belt**

166 C4557-40049 Carriage drive belt - Moves printhead side to side  
NO LONGER SUPPLIED

**Blade**

167 C2145-00037 ESD blade - Installed between cartridge and carriage PCA ESD blade - Installed between cartridge and carriage PCA

**Bracket**

168 C5870-00010 Paper motor mounting bracket

**Cam**

169 C6409-40040 Pick cam - Controls pressure plate and lever  
NO LONGER SUPPLIED

**Carriage**

170 C6409-40031 Ink cartridge carriage

171 C6409-60003 Ink cartridge carriage assembly - This item should be replaced only by trained, experienced service personnel

**Clip**

C4557-00043 Paperclip - Holds upper paper guide pinch rollers in place

**Encoder**

173 C4557-80019 Paper motor encoder disk

**Flag**

174 C5870-40024 OOPS flag - Media sensor - Mounts on the top right edge of the upper paper guide

175 C6680-40001 A4 flag - Media sensor - Mounts on the top left edge of the upper paper guide

**Gear**

176 C4557-40007 Pick gear

177 C4557-40021 Feed roller idler gear

178 C4557-40095 Encoder gear

179 C4557-40102 Feed roller cluster gear

**Guide**

180 C4557-40013 Rear paper guide - Guides media through rear of printer

181 C4557-40020 Lower guide - Platform for separator peg, spring and pad

182 C4557-40121 Paper encoder disk guide

183 C6409-40022 Upper paper guide - Guides media through paper path  
NO LONGER SUPPLIED

**Print Mechanism Parts****Latch**

- 184 C4557-40042 Plastic latch (Y-shaped) - Used in conjunction with the knob to hold the rear paper cleanout door assy in place
- 185 C4557-60045 Cartridge latch (Black) - Holds black ink cartridge in place  
NO LONGER SUPPLIED
- 186 C4557-60046 Cartridge latch (Color) - Holds color ink cartridge in place

**Lever**

- 187 C4557-00037 Pressure plate lever - Transfers upward pressure from the separator lifter to the kicker
- 188 C5870-40022 Paper pusher - Small, spring loaded lever attached to pivot - Pushes against left side of paper to maintain right edge alignment

**Lifter**

- 189 C4557-40063 Separator lifter - Used to lift the separator peg

**Link**

- 190 C4557-40084 Pivot link  
C6429-60025 *New Part for C4557-40084*

**Motor**

- 191 C4557-60003 Carriage motor assembly (Includes pulley)
- 192 C6409-60004 Paper advance motor

**Paper Stacker**

- 193 C4557-40016 Kicker - Restacks paper in stack after top sheet is picked

**Pin**

- 194 C4557-40085 Link pin - Small plastic piece  
C6429-60025 *New Part for C4557-40085*
- 195 C5870-40029 Separator peg

**Plate**

- 196 C6409-40028 Belt Attachment Plate - Mounted to back of Ink Cartridge Carriage Assembly - Used to attach the Carriage Drive Belt

**Retainer**

- 197 C4557-00024 Ferrite retainer - Holds head drive flex cable ferrite
- 198 C4557-20026 Felt retainer - Holds the lubricating felt to the side of the carriage

**Rod**

- 199 C6409-20004 Carriage rod - Shaft that the carriage assembly rides on - This item should be replaced only by trained, experienced service personnel

**Roller**

- 200 C4557-20002 Pinch roller - Provides downward pressure on media as it passes by upper paper guide
- 201 C4557-40015 Rear roller (Black) - Between paper and rear paper guide  
NO LONGER SUPPLIED
- 202 C4557-60025 Pivot feed roller - Shaft with 4 hard rollers - Does not include other items such as gear or encoder
- 203 C5870-40030 Postscan roller - Shaft with 2 rollers - Mounts on underside of the lower ADF chassis
- 204 C5870-60092 Pickup roller assembly - Shaft with large rollers, gear, and 2 bearings - Picks paper from paper input tray - Available for trade sales in Europe and Asia/Pacific - Available for authorized service centers only in USA
- 205 C6409-60037 Pivot feed roller assembly - Shaft with small rollers and paper encoder - This item should be replaced only by trained, experienced service personnel
- 206 C6426-60049 Pickup roller - Shaft with large rollers - Does not include other items such as gear or bearings

**Separator**

- 207 C4557-60011 Separator pad



**Print Mechanism Parts****Shaft**

208 C4557-20027 Cartridge latch shaft near top of carriage - Used to hold cartridge latches in place

**Shift Plate**

C6455-60057 Shift plate assembly - Five plastic gears held in a two piece plastic frame - Attaches to feedroller assembly

**Slide**

210 C5870-40036 Integrated slider for carriage assembly

**Snap**

211 C4557-40150 Pivot snap - Used to hold pivot to pick feed roller shaft

**Spring**

212 C2145-00033 ESD spring between ESD blade and carriage PCA

213 C4557-00009 Separator spring - Provides pressure between separator assembly and the center drive roller

214 C4557-00011 Drawer spring - Holds input drawer in place

215 C4557-00017 Belt tension spring - Provides tension for carriage belt

216 C4557-00018 Encoder spring - Provides tension for encoder strip

217 C4557-00033 Link spring - Provides tension to shaft of pick cam gear

218 C4557-20003 Rear roller spring - Flexible axle for rear roller

219 C4557-20007 Pinch spring - Provides tension on upper paper guide

220 C4557-20009 Latch spring - Provides friction for rear access door knob

221 C4557-20024 Shifter spring - Provides tension on the pivot

222 C4557-20028 EOR tension spring - Maintains tension on wear strip

223 C5870-20002 Paper stacker (kicker) spring

**Strip**

224 C4557-80001 Encoder strip - Clear strip with position marks - Used by the sensor in the carriage assembly to determine position

225 C5870-00004 Wear strip - Long, spring loaded strip mounted in top of backbone - Used to ensure smooth ink cartridge carriage motion

**Support**

226 C6409-00008 Upper paper guide support - Base for upper paper guide  
NO LONGER SUPPLIED

**Turnaround Assembly**

227 C4557-60109 Turnaround assembly - Provides carriage belt tension - Does not include spring

**Washer**

228 C4557-80002 Felt washer - Used to lubricate the carriage rod

**Scanner Assembly Parts****Base**

229 C6680-60059 Scanner base assembly - Includes base and both ribbon cables

**Belt**

230 C6680-80070 Scanner belt - Moves the scanner module back and forth under the scanner glass

**Bezel**

231 C6680-40050 Scanner bezel - Top part of the scanner assembly - The scanner glass mounts in this bezel  
NO LONGER SUPPLIED

**Cable**

232 C6680-60002 Scanner motor cable

233 C6680-60057 Ribbon cable - Has 10 pin (M) connectors - 71.8cm (28.3 inches) long

234 C6680-80050 Scanner module trailing cable - Has 20 pin (M) edge connectors - 42.9cm (16.9 inches) long

**Scanner Assembly Parts****Glass Assembly**

235 C6680-60020 Scanner glass assembly - Glass plate on which the documents are placed to be scanned - Mounts in the scanner bezel

**Idler**

236 C6680-60026 Scanner belt idler assembly - Maintains scanner belt tension  
NO LONGER SUPPLIED

**Module**

237 C6688-60003 Scanner module assembly - Moves along scanner slider rod to scan documents

**Motor**

238 C6680-60023 Motor and gear assembly - Drives scanner module - Does not include motor cable

**Rod**

239 C6680-20070 Scanner slider rod - Scanner module moves along this rod

**Spring**

240 C6680-80074 Idler spring - Provides tension for the scanner belt idler assembly

**Support**

241 C6680-40009 Glass assembly support - Retains the scanner glass inside the scanner bezel  
NO LONGER SUPPLIED

**Service Station Parts****Absorber**

242 C5870-80007 Spittoon sponge - Absorbs excess ink from cartridges

**Bonnet**

243 C5870-40016 Service station bonnet - Top cover of the spittoon - Has cutout for pallet/link assembly

**Clip**

244 C5870-00002 Service station ESD grounding clip

**Gear**

245 C4557-40079 Transfer gear (Double gear)

246 C5870-40017 Cluster gear (Large gear)

**Motor**

247 C5870-60004 Service station motor assembly - Includes PC board and gear

**Pallet**

248 C6426-60054 Pallet/link assembly - Installed between spittoon and sled cap assembly - Mounting platform for the wiper and capping systems parts

**Shaft**

249 C4557-40066 Drive shaft with molded gears on each end - Inside the service station spittoon assembly

**Sled**

250 C4557-60013 Sled cap assembly - Top cover of the service station assembly - Includes print cartridge caps (gaskets which keep the cartridges from drying out when not printing)

**Snap**

251 C4557-40069 Cap snap - Installed between pallet/link assembly and sled cap assembly - Used to hold the cap spring

**Spittoon**

252 C5870-40014 Spittoon base - The bottom of the service station assembly

**Spring**

253 C4557-00026 Cap spring - Provides pressure to cap parked print cartridges

**Vent**

254 C4557-40068 Cap vent - For equalizing the print cartridge capping pressure



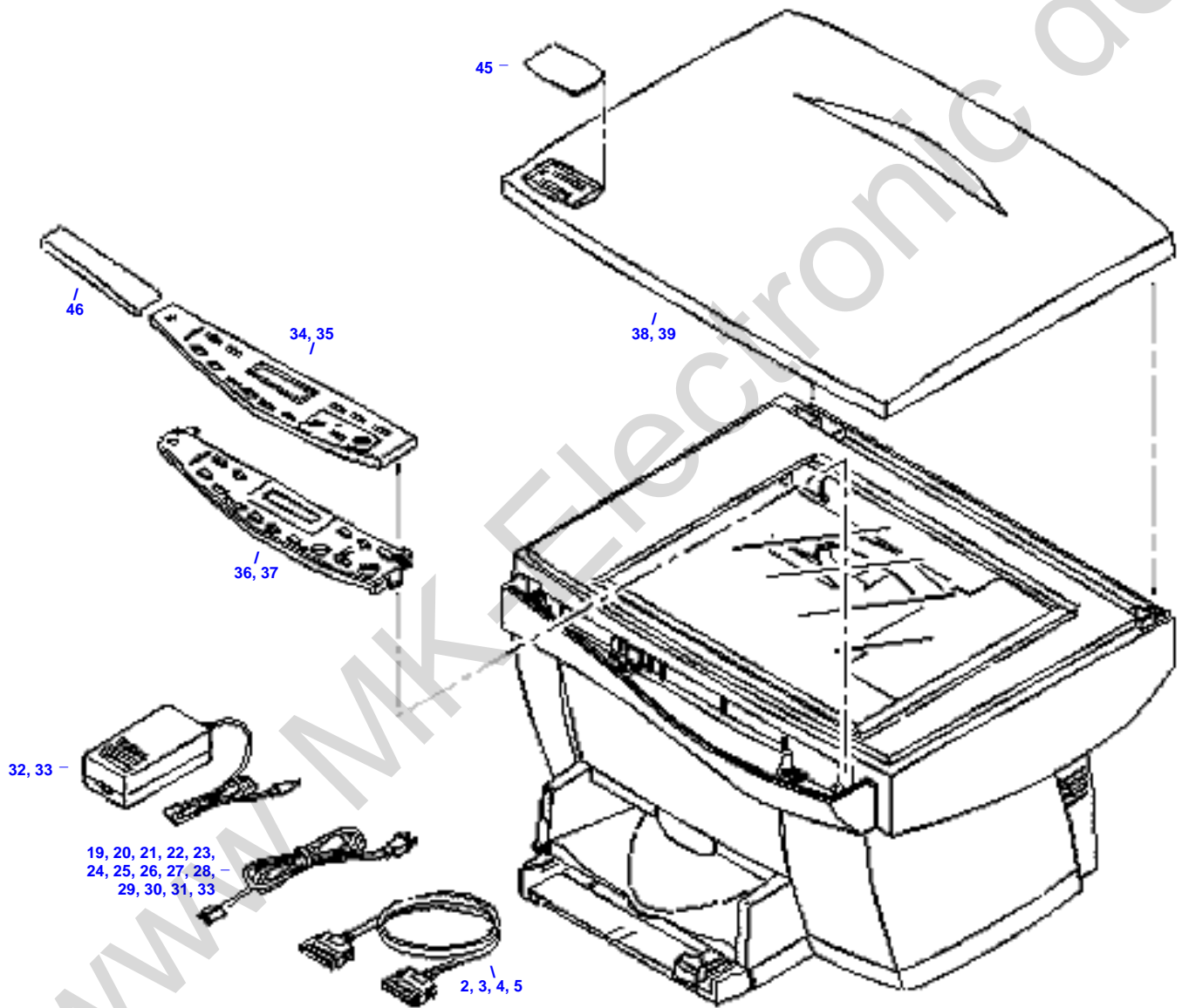
Service Station Parts

Wiper

255 C4557-60014 Wiper assembly - Metal base with plastic wipers

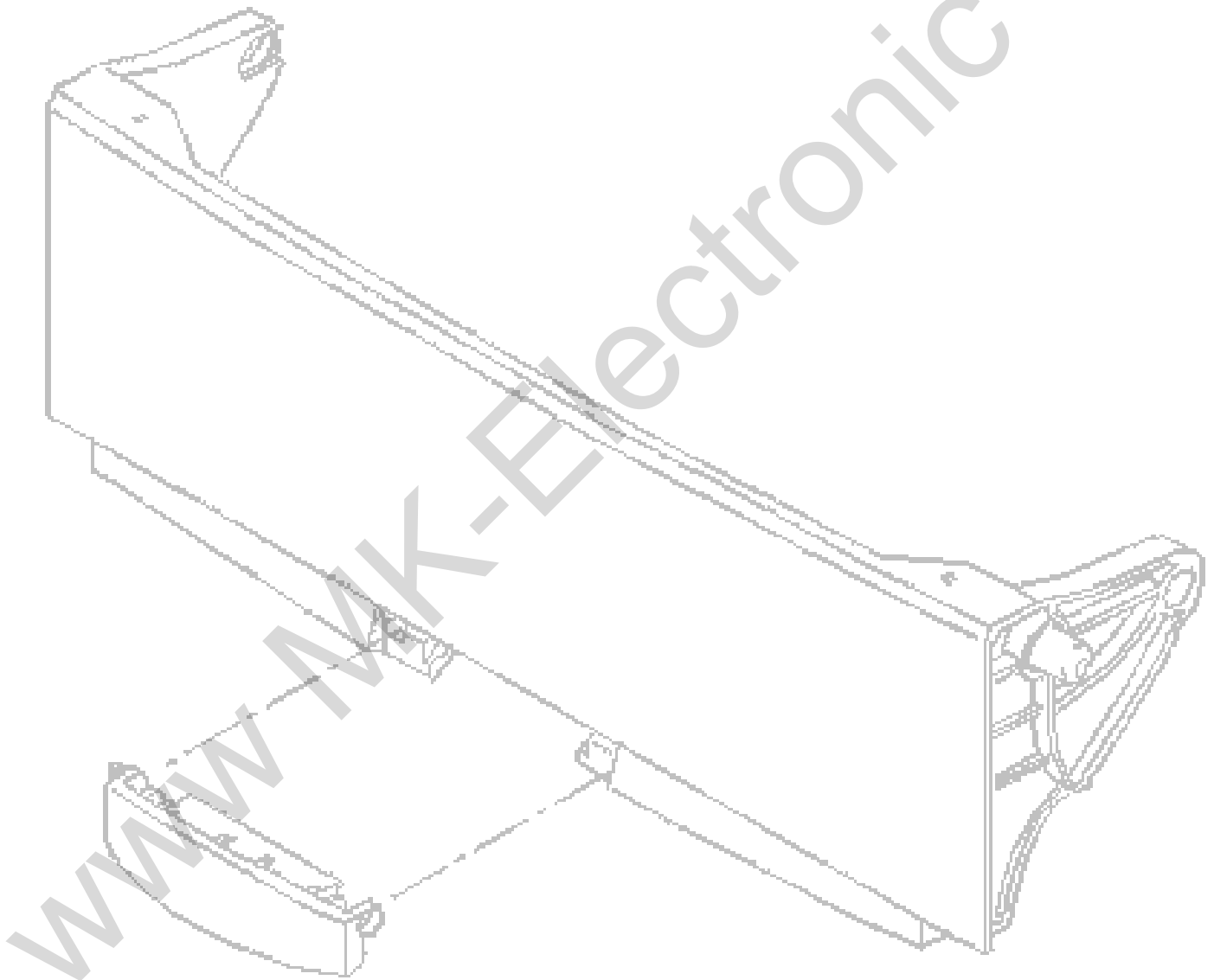
www MK-Electronic de

Main Assembly Locator

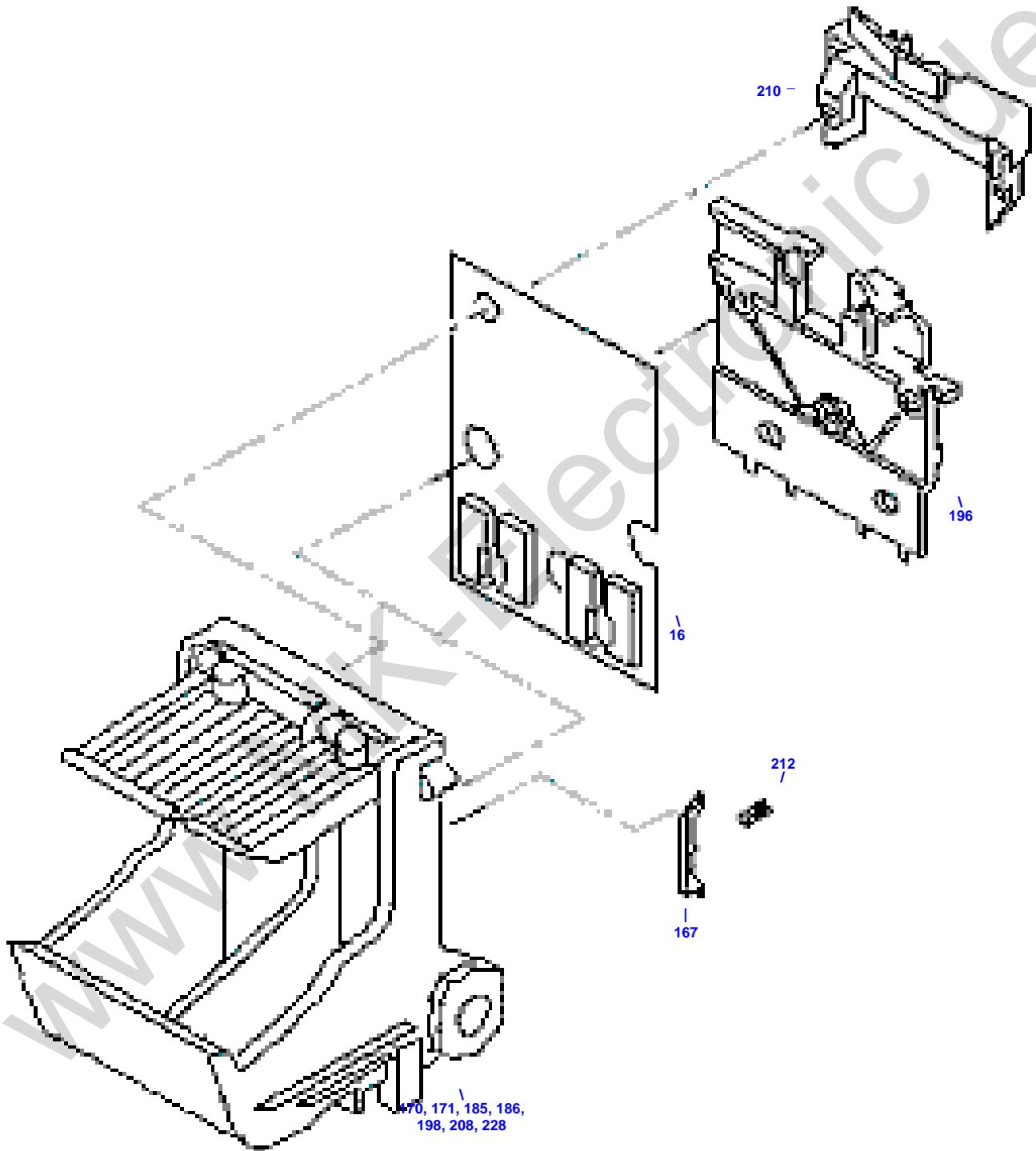


Access Door Assembly

 Access Door Assembly - 40

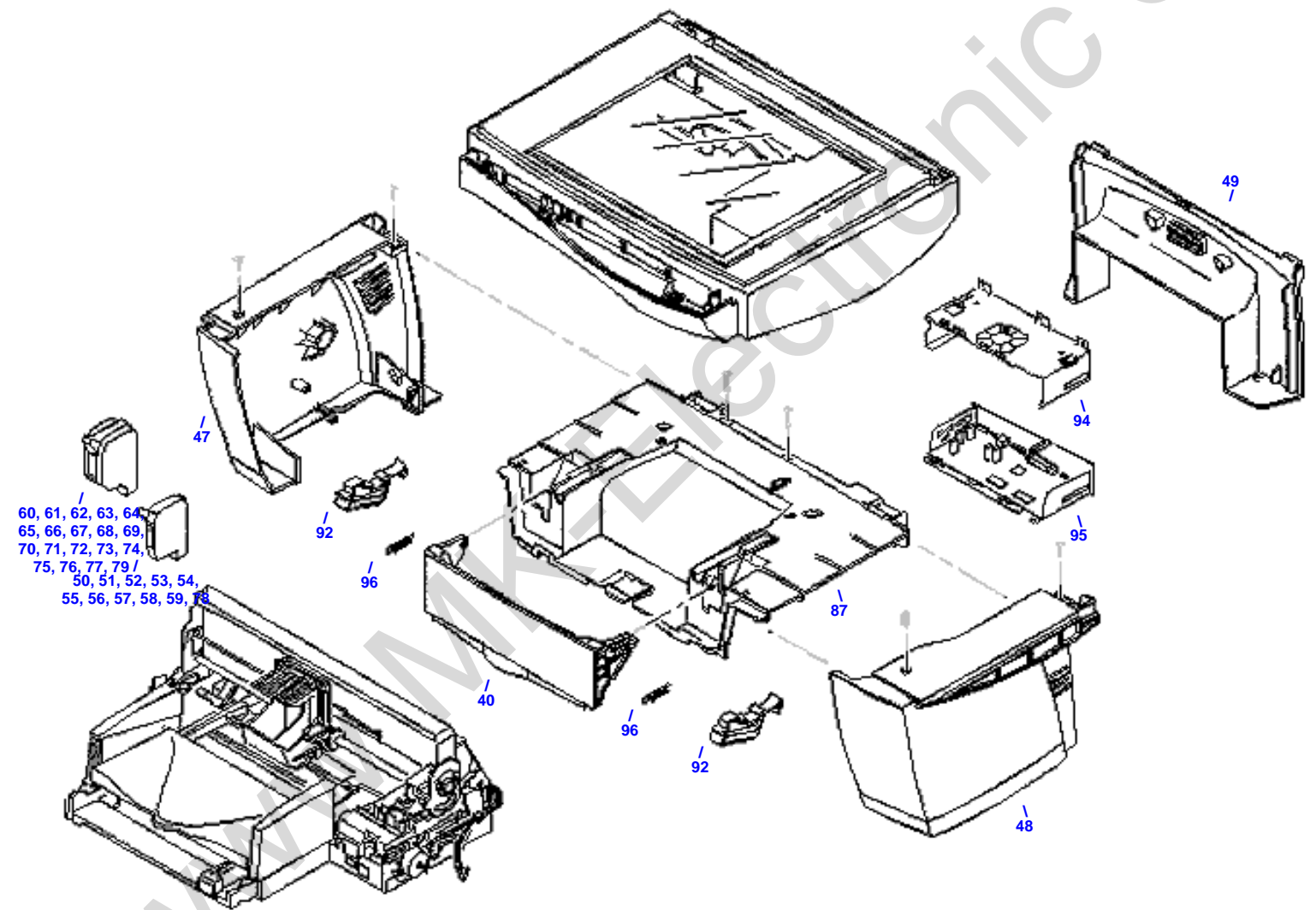


Carriage Assembly



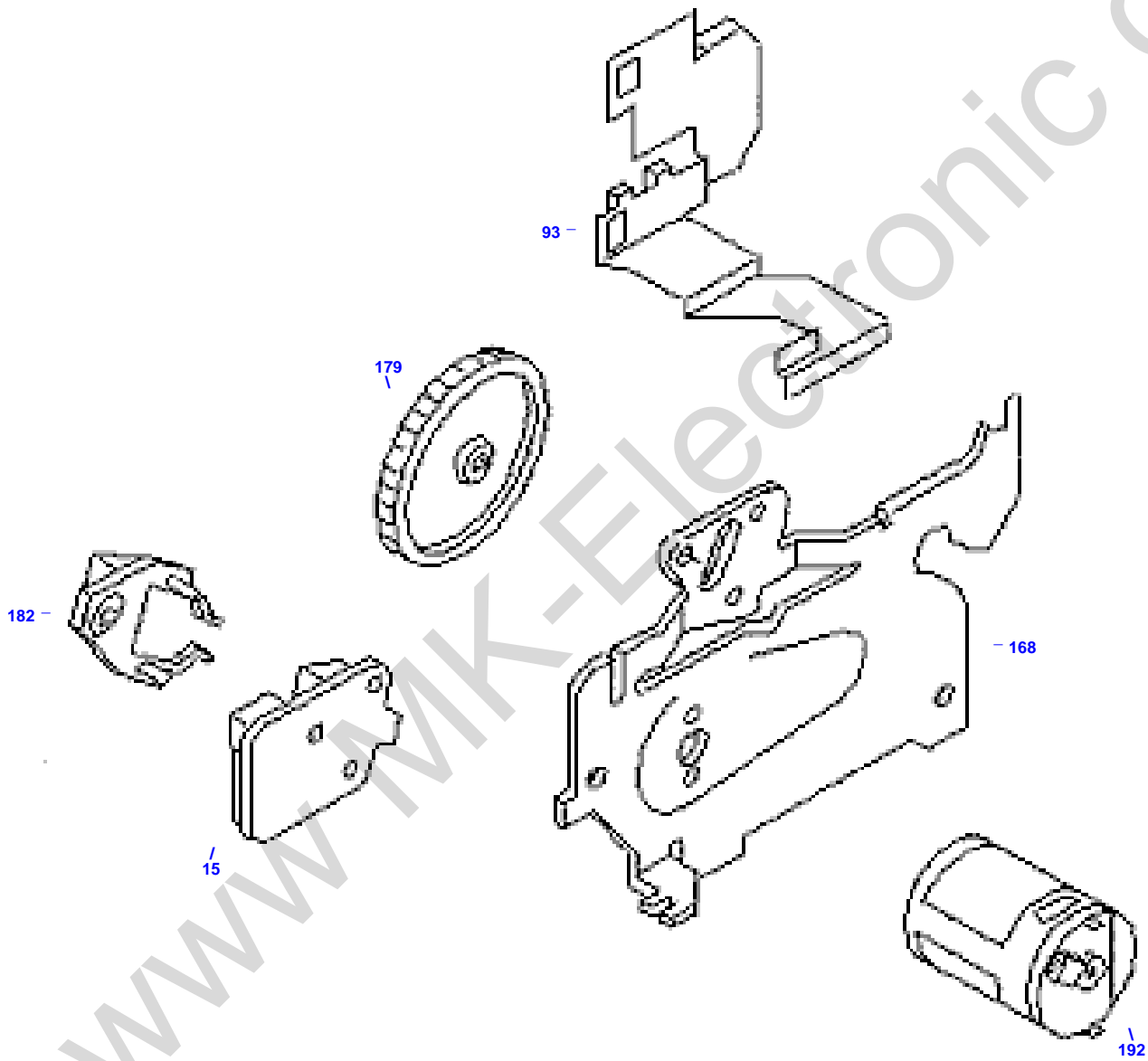


Internal Assemblies

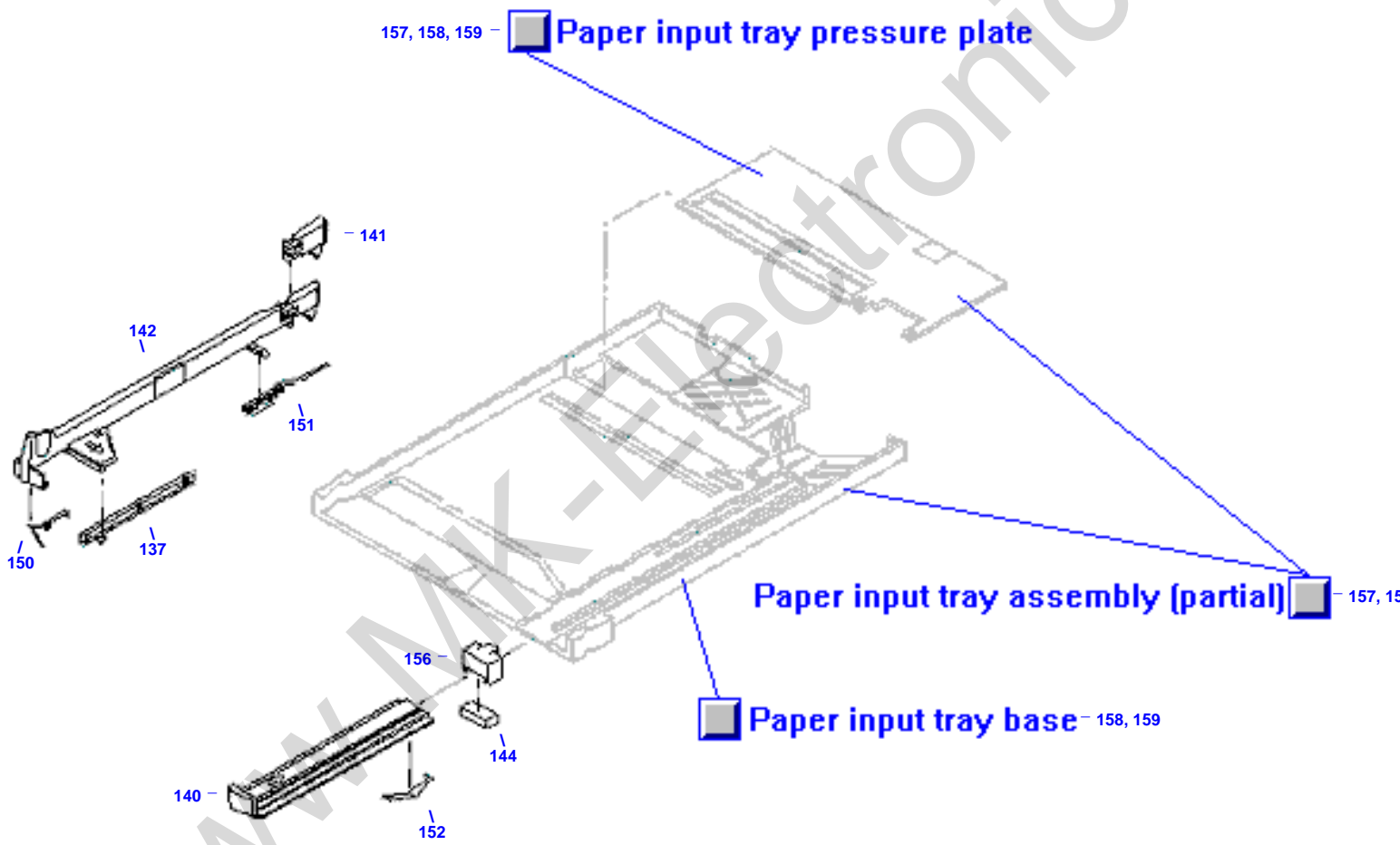




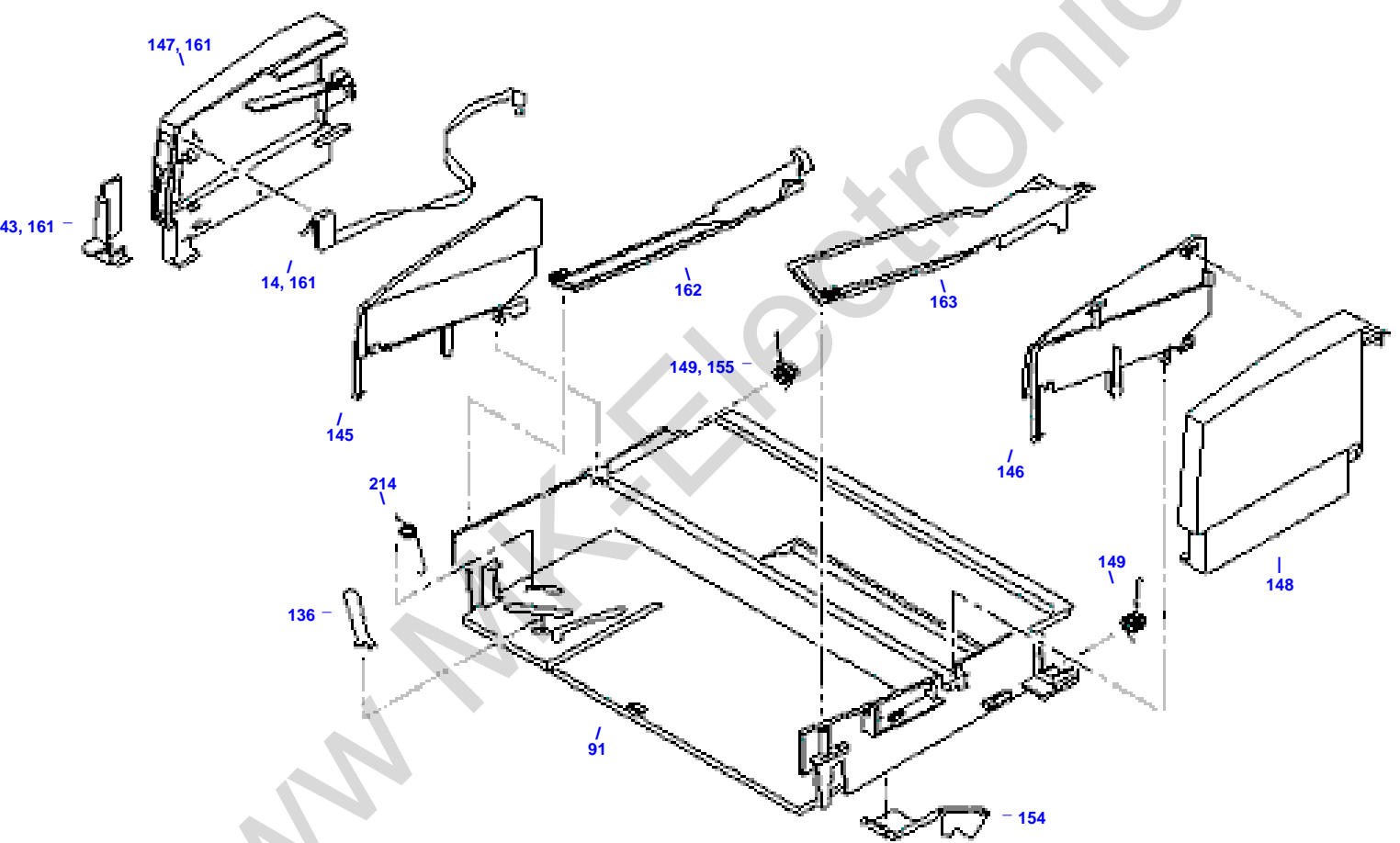
Paper Drive Motor Assembly



Paper Tray Assembly (1 of 2)

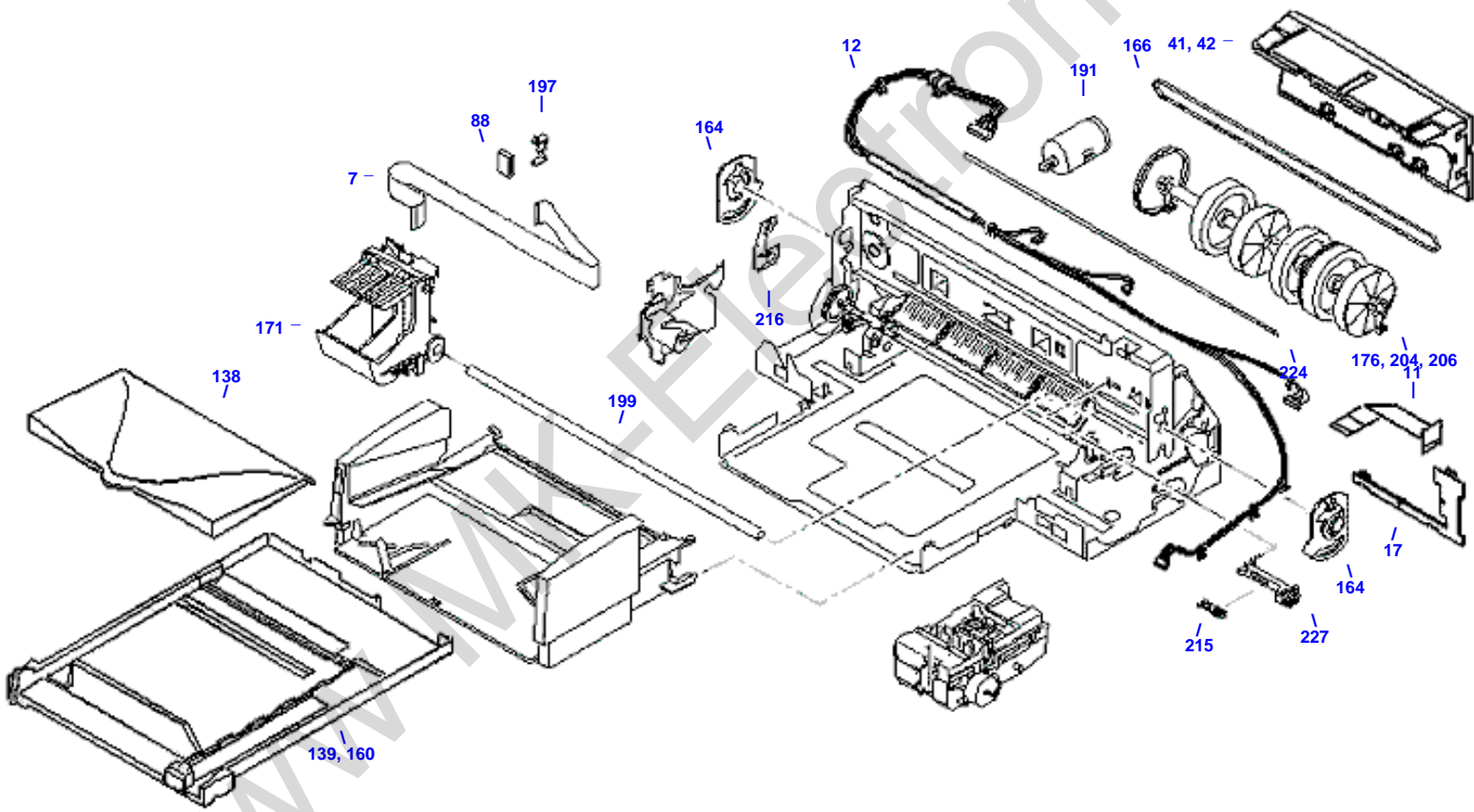


Paper Tray Assembly (2 of 2)



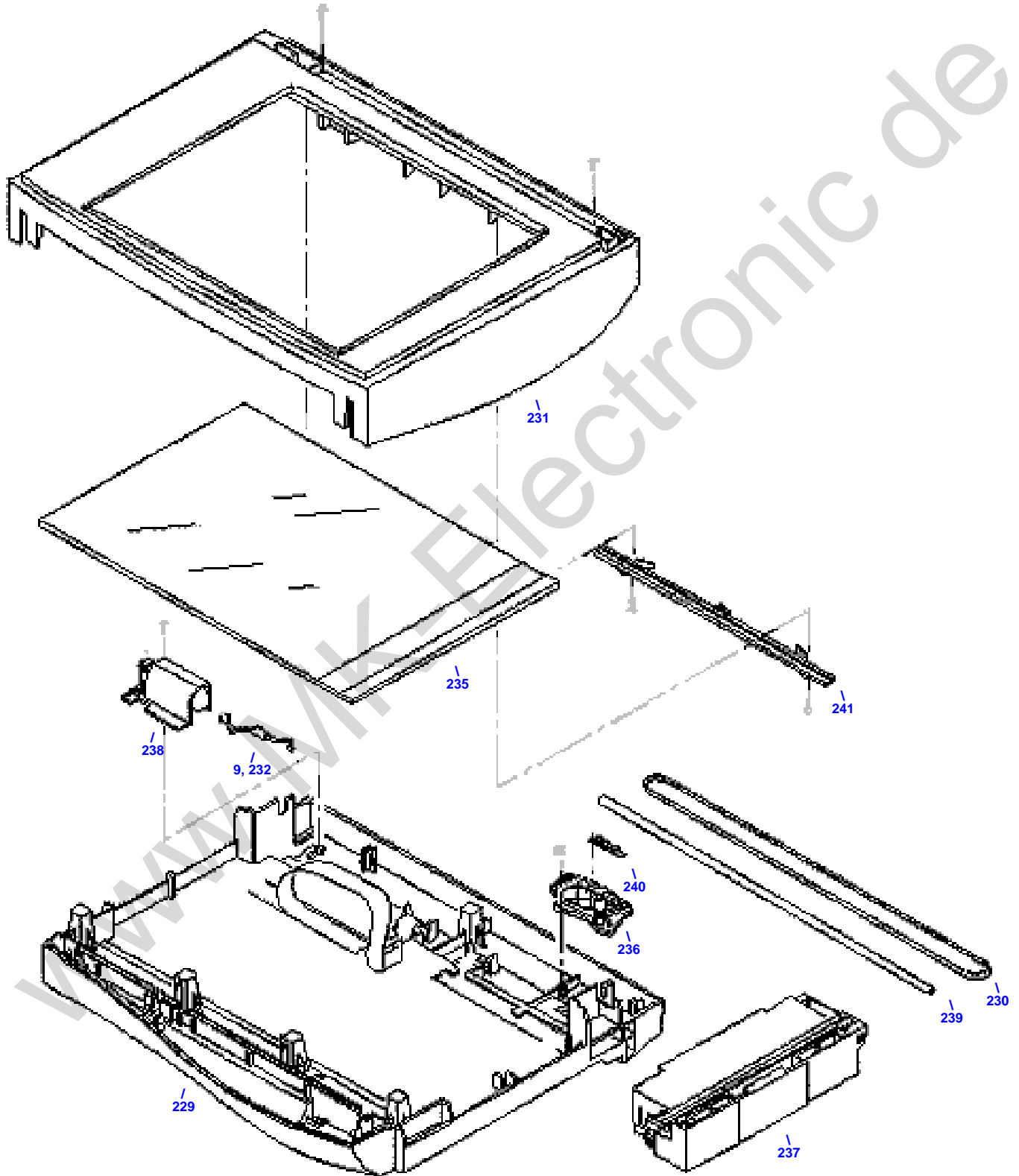
Printer Mechanism (1 of 2)

2 of 2 →



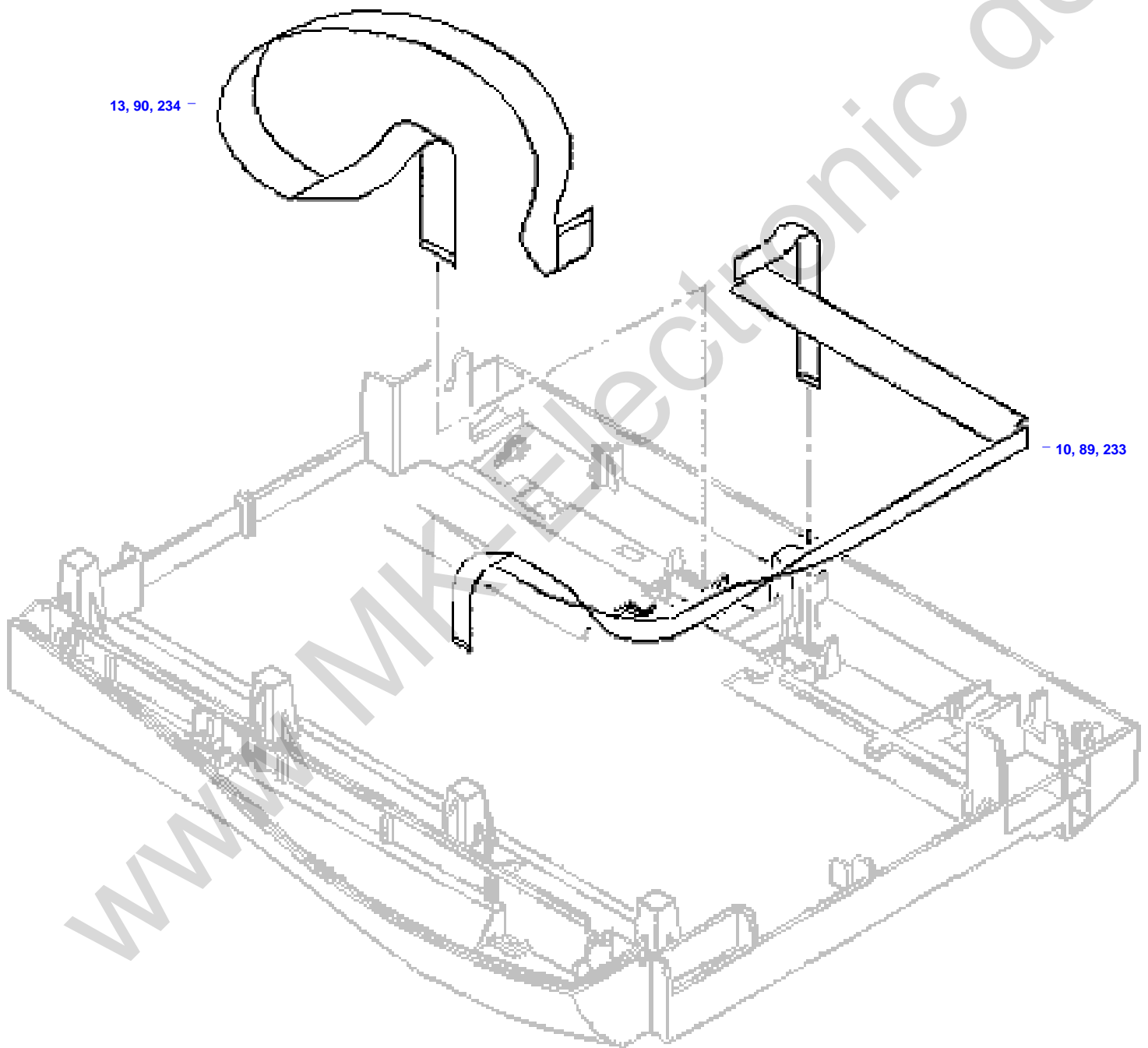


Scanner Assembly

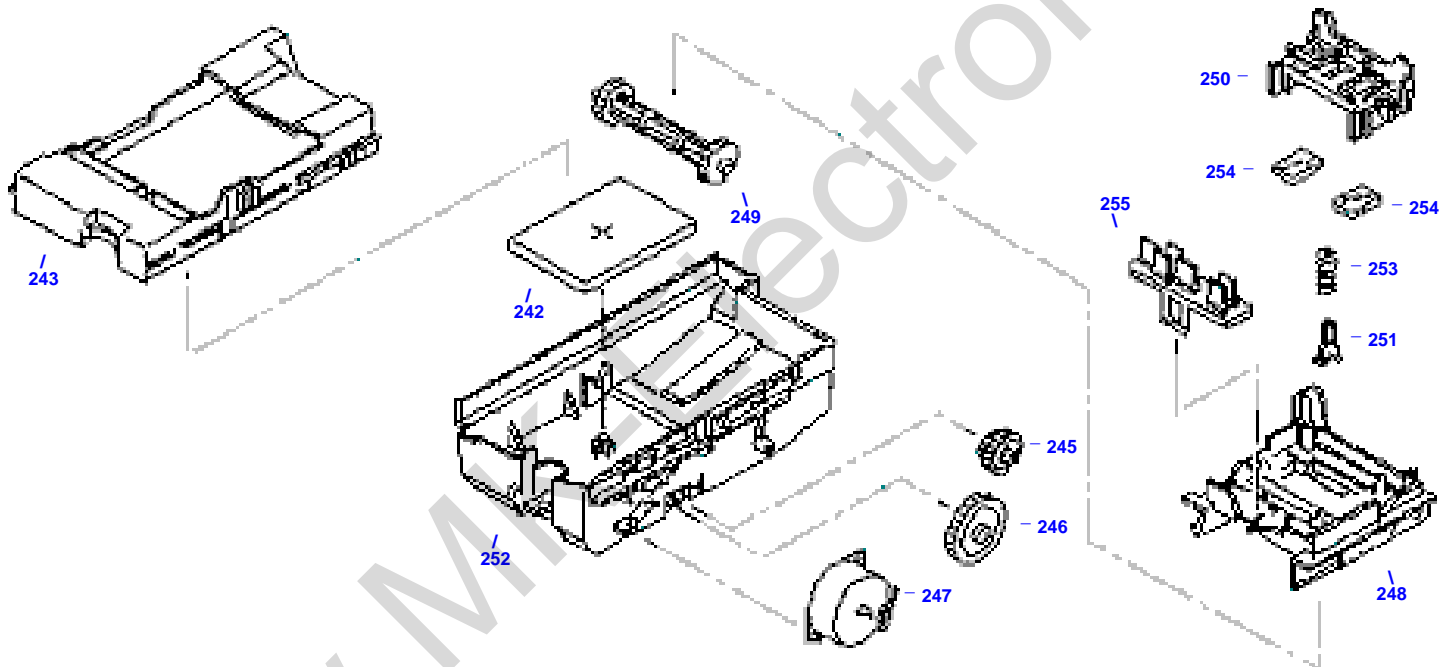


Scanner Base Assembly

 Scanner Base Assembly - 229



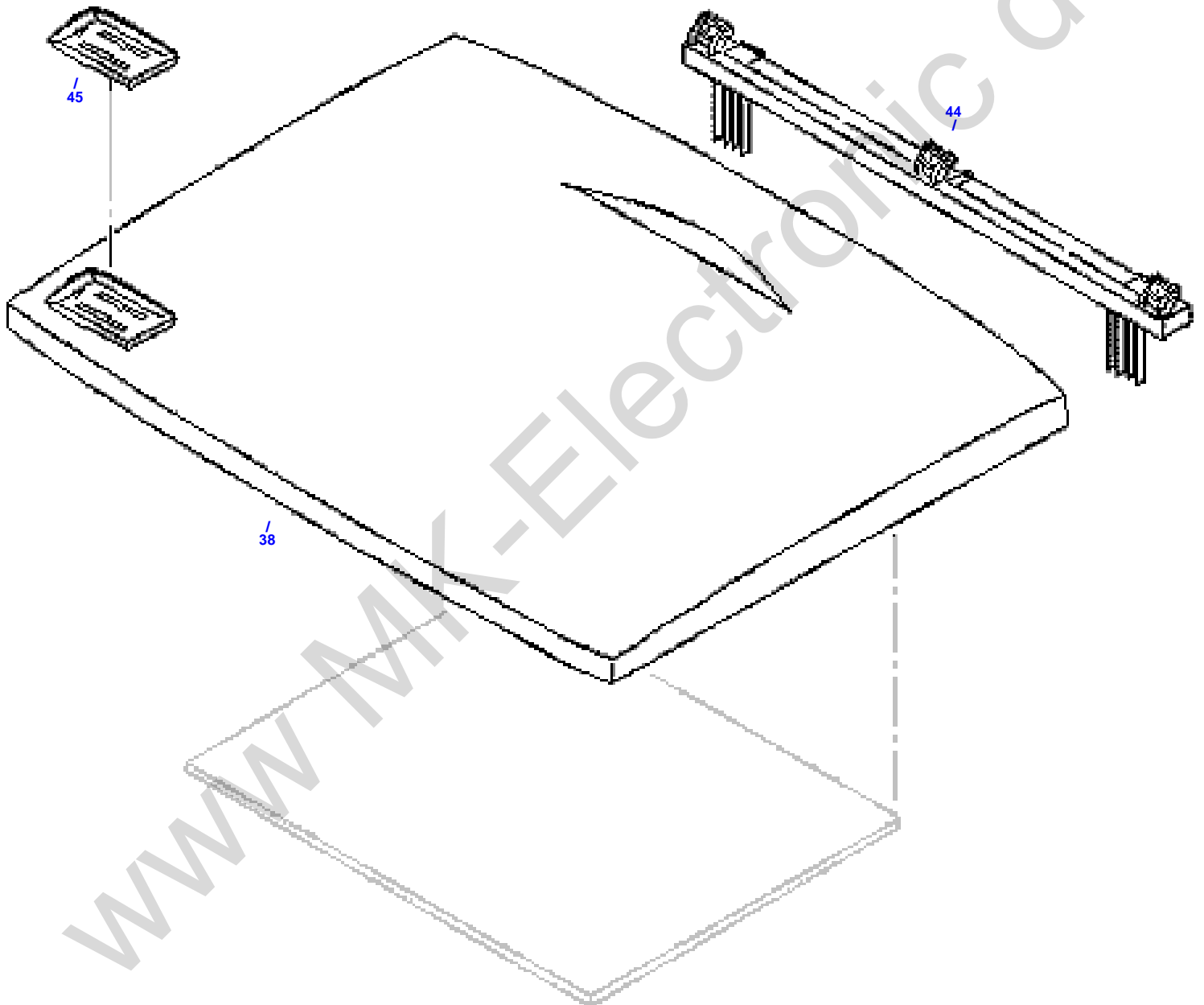
Service Station



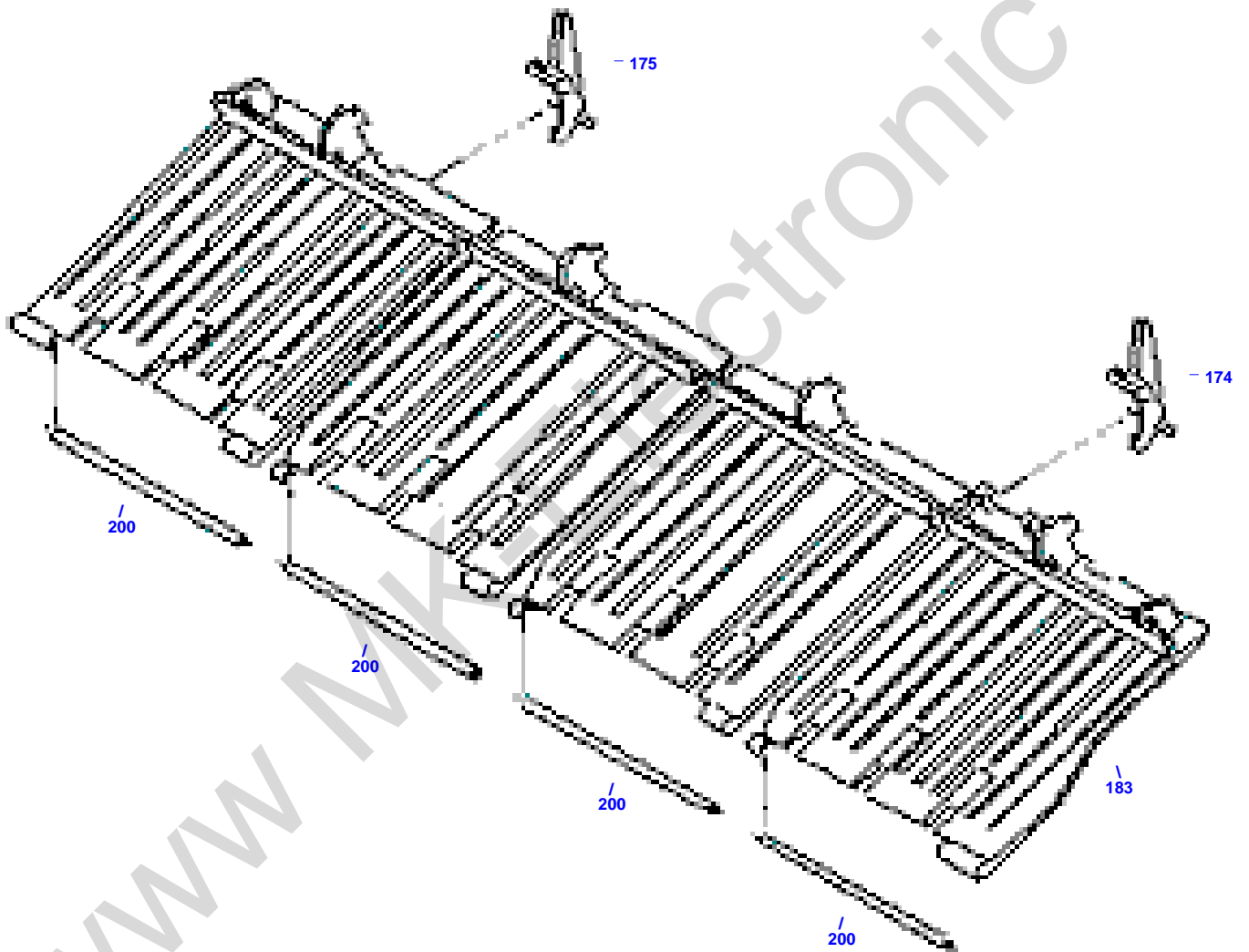


Top Cover Assembly

 **Top Cover Assembly** - 38, 39



Upper Paper Guide Assembly





**HP Parts Reference Guide**

<http://www.hp.com/go/parts>

**HP PartSurfer**

<http://partsurfer.hp.com>

**HP Parts Ordering Information**

<http://www.hp.com/go/hpparts>

**HP Parts Questions/Comments**

<http://partsurfer.hp.com/contactus.htm>

www MK-Electronic.de