

Electronic Accessories

Cable (Interface)

5063-1256	IEEE-1284 Bi-Tronics parallel cable - DB-25 (M) connector (type A) to 36 pin Centronics (M) connector (type B) - 2.0m (6.6ft) long
5063-1257	IEEE-1284 Bi-Tronics parallel cable - DB-25 (M) connector (type A) to 36 pin Centronics (M) connector (type B) - 3.0m (9.8ft) long
C2950A	IEEE-1284 Bi-Tronics parallel cable - DB-25 (M) connector (type A) to 36 pin Centronics (M) connector (type B) - 2.0m (6.6ft) long
5063-1256	<i>New Part for C2950A</i>
C2951A	IEEE-1284 Bi-Tronics parallel cable - DB-25 (M) connector (type A) to 36 pin Centronics (M) connector (type B) - 3.0m (9.8ft) long
C2990A	IEEE-1284 Bi-Tronics parallel cable - DB-25 (M) (type A) to 36 pin (M) Centronics (type B) - 1.8m (6ft) long NO LONGER SUPPLIED
C2991A	IEEE-1284 Bi-Tronics parallel cable - DB-25 (M) (type A) to 36 pin (M) Centronics (type B) - 3.0m (10ft) long NO LONGER SUPPLIED
C6518A	Universal serial bus (USB) interface cable - Type 'A' connector to type 'B' connector - 2.0m (6.6ft) long
8120-8485	Universal Serial Bus (USB) interface cable - Type 'A' connector to type 'B' connector, 1.8m (6.0 ft) long

Interface (Product)

J2590A	External JetDirect LAN interface module with RJ-45 connector for EtherTwist (10Base-T) or 100VG/802.12 input and 3 parallel (DB-25) output connectors NO LONGER SUPPLIED
J2591A	External JetDirect LAN interface module and power module - Has EtherTwist (10Base-T) and ThinLAN (10Base-2) connectors NO LONGER SUPPLIED
J3258B	External JetDirect 170X LAN interface module - Interfaces a parallel printer to an ethernet 10Base-T (RJ-45) LAN
J3263A	External JetDirect 300X LAN interface module - Interfaces a parallel printer to an ethernet 10Base-T (RJ-45) or 100Base-TX (RJ-45) LAN
J3264A	External JetDirect 500X token ring interface module - Interfaces up to 3 parallel printers to a token ring (DB-9 or RJ-45) LAN
J3265A	External JetDirect 500X LAN interface module - Interfaces up to 3 parallel printers to an ethernet 10Base-T (RJ-45), 10Base2 (BNC), or 100Base-TX (RJ-45) LAN
J4155A	External JetDirect 70X home print server - Uses telephone wiring to establish a local area network for remote printer operation - For Microsoft Windows 95/98/NT 4.0 - Uses 1Mbps HomePNA version 1.0 signals NO LONGER SUPPLIED

Electronics/Power Supply

Cable

16	C4557-60022	Cable assembly - An 11 pin (F) connector to two 3 pin (F) connectors and a 7 pin (F) connector - 36.8cm (14.5 inches) long - From Main Logic PCA to Paper Motor, Carriage Motor, and Paper Encoder
17	C4557-80075	Carriage assembly flex cable - 40.3cm (15.9 inches) long - Connects Main Logic PCA and Ink Cartridge Carriage PCA
18	C5870-60140	Cable assembly - 12 pin (F) connector, 5 pin (F) connector, and 7 pin (F) connector - 43.9cm (17.3 inches) long - Connects Main Logic PCA, Keypad, and Service Station

Keypad

19	C4557-60009	Keypad assembly
----	-------------	-----------------

PC Board

20	C4557-60062	Banner PCA and cable assembly
21	C6409-60200	Paper encoder PCA - Controls operation of paper motor
22	C6409-60237	Ink cartridge carriage PC board
23	C6419-69112	Main logic PCA - Configured for English font REQUIRES RETURN OF DEFECTIVE PART
	C6419-60032	<i>New Part for C6419-69112</i>
24	C6419-69113	Main logic PCA - Can be configured for Arabic, Cyrillic, Greek, Hebrew, Lithuanian, Latvian, or Thai fonts



Electronics/Power Supply

Power Cord

25	8120-8336	Power cord (Quartz Gray) - 18 AWG, two conductor, 1.8m (6.0ft) long - Has straight (F) C7 receptacle (For 100V in Japan)
26	8120-8337	Power cord (Quartz Gray) - Two conductor, 1.8m (6.0ft) long - Has straight (F) C7 receptacle (For 240V in Australia and New Zealand)
27	8120-8341	Power cord (Quartz Gray) - 18 AWG, two conductor, 1.8m (6.0ft) long - Has straight (F) C7 receptacle (For 240V in the UK)
28	8120-8345	Power cord (Quartz Gray) - Two conductor, 1.8m (6.0ft) long - Has straight (F) C7 receptacle (For 240V in South Africa and India)
29	8120-8346	Power cord (Quartz Gray) - Two conductor, 1.8m (6.0ft) long - Has straight (F) C7 receptacle (For 220V in China)
30	8120-8900	Power cord (Flint Gray) - 18 AWG, two conductor, 1.8m (6.0ft) long - Has straight (F) C7 receptacle (For 120V in the USA, Canada, Brazil, Latin America and Saudi Arabia)
31	8121-0023	Power cord (Flint Gray) - 18 AWG, two conductor, 1.8m (6.0ft) long - Has straight (F) C7 receptacle (For 220V in Europe, Asia Pacific, Germany, Spain, France, Netherlands, Switzerland, Italy, and Portugal)

Power Module

32	C6409-60014	Power Supply Module - 100V-240V, 50/60Hz - Requires separate AC power cord - For worldwide use
----	-------------	--

External Case Parts

Cover

33	C4557-60020	Left side case
34	C6409-60162	Right side case
35	C6411-40008	Main logic PCA cover - Has cut outs for the USB interface socket, parallel interface socket, and power module socket

Door

36	C6409-60040	Top/front access door assembly - Print cartridge access door with an opaque flint gray window
37	C6458-60001	Top/front access door assembly - Print cartridge access door with strawberry colored window - Includes installation instructions
38	C6458-60002	Top/front access door assembly - Print cartridge access door with strawberry colored window - Includes installation instructions
39	C6459-60001	Top/front access door assembly - Print cartridge access door with lime window - With installation instructions
40	C6459-60002	Top/front access door assembly - Print cartridge access door with lime colored window - Without installation instructions
41	C6460-60001	Top/front access door assembly - Print cartridge access door with tangerine colored window - With installation instructions
42	C6460-60002	Top/front access door assembly - Print cartridge access door with tangerine window - Without installation instructions
43	C6461-60001	Top/front access door assembly - Print cartridge access door with grape colored window - With installation instructions
44	C6461-60002	Top/front access door assembly - Print cartridge access door with grape colored window - Without installation instructions
45	C6462-60001	Top/front access door assembly - Print cartridge access door with blueberry colored window - With installation instructions
46	C6462-60002	Top/front access door assembly - Print cartridge access door with blueberry colored window - Without installation instructions NO LONGER SUPPLIED
47	C6409-40014	I/O and power input cable covering door
48	C4557-60076	Rear cleanout door assembly - Paper jam cleanout door

Foot

49	C4557-40118	Rubber foot
----	-------------	-------------

Knob

50	C4557-40090	Rear cleanout door knob
----	-------------	-------------------------

External Case Parts**Label**

51 C4557-80057 Front panel label - Includes kodak image enhancements

Nameplate/Logo

52 C6409-40015 Nameplate - DeskJet 880C printer
NO LONGER SUPPLIED

53 C6409-40032 Nameplate - DeskJet 882C printer

Plate

54 C4557-40014 Back Plate - Holds Latch Spring, Knob and Latch Components of Rear Cleanout Assembly

Other Accessories**CD-ROM (Support)**

C6450-60020 DeskJet and DeskWriter service manual on CD-ROM - Version 4.1

C6450-60021 DeskJet and DeskWriter service manual on CD-ROM - Version 4.1

Cartridge

55 51645A Black print cartridge (High capacity) - Prints approximately 840 pages based on 5% density on a 8 inch by 10 inch print area (for USA)

56 51645AA Black print cartridge (High capacity) - Prints approximately 840 pages based on 5% density on a 8 inch by 10 inch print area (for Asia/Pacific)

57 51645AC Black print cartridge (high capacity) - Prints approximately 840 pages based on 5% density on a 8 inch by 10 inch print area (for Canada)

58 51645AE Black print cartridge (high capacity) - Prints approximately 840 pages based on 5% density on a 8 inch by 10 inch print area (for Europe)

59 51645AL Black print cartridge (high capacity) - Prints approximately 840 pages based on 5% density on a 8 inch by 10 inch print area (for Latin America)

60 51645G Black print cartridge (economy) - Prints approximately 415 pages based on 5% density on a 8 inch by 10 inch print area (for USA)

61 51645GA Black print cartridge (economy) - Prints approximately 415 pages based on 5% density on a 8 inch by 10 inch print area (for Asia/Pacific)

62 51645GC Black print cartridge (economy) - Prints approximately 415 pages based on 5% density on a 8 inch by 10 inch print area (for Canada)

63 51645GE Black print cartridge (economy) - Prints approximately 415 pages based on 5% density on a 8 inch by 10 inch print area (for Europe)

64 51645GL Black print cartridge (economy) - Prints approximately 415 pages based on 5% density on a 8 inch by 10 inch print area (for Latin America)

65 C1823A Tri-color ink print cartridge - Prints approximately 475 pages based on 13.5% total density (4.5% for each colors) on a 8 inch by 10 inch print area (for USA)

C1823D *New Part for C1823A*

66 C1823AA Tri-color ink print cartridge - Prints approximately 475 pages based on 13.5% total density (4.5% for each colors) on a 8 inch by 10 inch print area (for Asia/Pacific)

67 C1823AC Tri-color ink print cartridge - Prints approximately 475 pages based on 13.5% total density (4.5% for each colors) on a 8 inch by 10 inch print area (for Canada)

68 C1823AE Tri-color ink print cartridge - Prints approximately 475 pages based on 13.5% total density (4.5% for each colors) on a 8 inch by 10 inch print area (for Europe)

69 C1823AL Tri-color ink print cartridge - Prints approximately 475 pages based on 13.5% total density (4.5% for each colors) on a 8 inch by 10 inch print area (for Latin America)

70 C1823D Tri-color ink print cartridge - Prints approximately 360 pages based on 13.5% total density (4.5% for each color) on a 8 inch by 10 inch print area (for USA)

71 C1823DA Tri-color ink print cartridge - Prints approximately 360 pages based on 13.5% total density (4.5% for each color) on a 8 inch by 10 inch print area (for Asia/Pacific)

72 C1823DC Tri-color ink print cartridge - Prints approximately 360 pages based on 13.5% total density (4.5% for each color) on a 8 inch by 10 inch print area (for Canada)

73 C1823DE Tri-color ink print cartridge - Prints approximately 360 pages based on 13.5% total density (4.5% for each color) on a 8 inch by 10 inch print area (for Europe)

Other Accessories**Cartridge**

74	C1823DL	Tri-color ink print cartridge - Prints approximately 360 pages based on 13.5% total density (4.5% for each color) on a 8 inch by 10 inch print area (for Latin America)
75	C1823G	Tri-color ink economy print cartridge - Prints approximately 180 pages based on 13.5% total density (4.5% for each color) on a 8 inch by 10 inch print area (for USA)
76	C1823GA	Tri-color ink economy print cartridge - Prints approximately 180 pages based on 13.5% total density (4.5% for each color) on a 8 inch by 10 inch print area (for Asia/Pacific)
77	C1823GE	Tri-color ink economy print cartridge - Prints approximately 180 pages based on 13.5% total density (4.5% for each color) on a 8 inch by 10 inch print area (for Europe)
78	C1823GL	Tri-color ink economy print cartridge - Prints approximately 180 pages based on 13.5% total density (4.5% for each color) on a 8 inch by 10 inch print area (for Latin America)
79	C1823T	Tri-color ink cartridges (2 pack of C1823D) - Each prints approximately 360 pages on 13.5% total density (4.5% for each color) on a 8 inch by 10 inch print area (for USA)
80	C1823TA	Tri-color ink cartridges (2 pack of C1823D) - Each prints approximately 360 pages on 13.5% total density (4.5% for each color) on a 8 inch by 10 inch print area (for Asia/Pacific)
81	C1823TE	Tri-color ink cartridges (2 pack of C1823D) - Each prints approximately 360 pages on 13.5% total density (4.5% for each color) on a 8 inch by 10 inch print area (for Europe)
82	C1823TL	Tri-color ink cartridges (2 pack of C1823D) - Each prints approximately 360 pages on 13.5% total density (4.5% for each color) on a 8 inch by 10 inch print area (for Latin America)
83	C6613AN	Black print cartridges (High capacity) - (2 pack of 51645A) each prints approximately 840 pages based on 5% density on a 8 inch (20.3cm) by 10 inch (25.4cm) print area (for USA) NO LONGER SUPPLIED
84	C6618AN	Tri-color ink cartridges (2 pack of C1823D) - Each prints approximately 360 pages on 13.5% total density (4.5% for each color) on a 8 inch (20.3cm) by 10 inch (25.4cm) print area (for USA) NO LONGER SUPPLIED

Door (Product)

87	C6458A	Top/front access door assembly - Print cartridge access door with Strawberry colored window - Replaces the existing door
88	C6459A	Top/front access door assembly - Print cartridge access door with Lime colored window - Replaces the existing door
89	C6460A	Top/front access door assembly - Print cartridge access door with Tangerine colored window - Replaces the existing door
90	C6461A	Top/front access door assembly - Print cartridge access door with grape colored window - Replaces the existing door
91	C6462A	Top/front access door assembly - Print cartridge access door with blueberry colored window - Replaces the existing door

Manual

C6409-90091	DeskJet user's guide for Microsoft Windows (English)
C6413-90023	DeskJet user's guide for Apple/Macintosh (English)

Restraint

C6409-80031	Right carriage restraint - Used to protect the carriage assembly from damage during shipment
-------------	--

Retainer

C6409-80030	Left carriage retainer - Protects the carriage assembly from damage during shipment
-------------	---

Return Kit

5183-5268	Return kit with box and instructions - For returning defective Thermal InkJet (TIJ) 2.5 InkJet cartridges covered under the CREW program - For USA
5184-2833	Return kit with box and instructions - For returning defective Thermal InkJet (TIJ) 2.5 InkJet cartridges covered under the CREW program - For use outside of the USA

Other Internal Parts**Brace**

98	C4557-40128	Left backBone brace - Provides support for backBone
99	C4557-40130	Left wall brace - Provides support for left wall

**Other Internal Parts****Brace**

100 C5870-40020 Right backbone brace - Installed on right side of printer base to provide support for backbone

Ferrite Assembly

101 9170-1655 Ferrite core

Frame

102 C5870-40039 Wing frame - Chassis for in/out tray components

Shield

103 C4557-00038 Paper motor ESD shield

104 C6409-00007 Main logic PCA EMI shield
NO LONGER SUPPLIED

Paper Tray Parts**Cam**

154 C4557-40034 Drawer cam - Short, spring loaded lever attached to the base of the wing frame - Used to draw input tray into position

Channel

155 C5870-00006 Width adjust channel

Door

156 C4557-40026 Output door - Separates output media from input media

Guide

157 C5870-40023 Width adjust (Green) - Holds media against right wall of input tray

158 C5870-40037 Length adjuster - Media input length adjuster
NO LONGER SUPPLIED

159 C6409-40034 Left wall pusher - Pushes against left side of media to maintain correct edge alignment

Lever

160 C6411-40006 Banner lever - Used to choose either single sheet paper or continuous feed (Banner) paper
NO LONGER SUPPLIED

Pad

161 C4557-80027 Length adjust pad (Poron) - Mounted under the fine length adjuster

Panel

162 C4557-40098 Paper tray left inner panel (Left cheek cap)

163 C4557-40099 Paper tray right inner panel (Right cheek cap)
NO LONGER SUPPLIED

164 C4557-40116 Paper tray left outer panel (Left cheek)

165 C5870-40019 Paper tray right outer panel (Right cheek)

Spring

166 C4557-00029 Left wall spring (Front) - Holds left wall assembly in position

167 C4557-00030 Left wall spring (Rear) - Provides pressure against media

168 C4557-00031 Paper length adjuster spring - Provides tension for paper input length adjuster

C6455-00011 *New Part for C4557-00031*

169 C4557-00035 Paper pusher spring - Maintains alignment in paper tray

170 C4557-20020 Envelope spring - Holds envelopes in position for picking

171 C6409-00017 Wing torsion spring - Provides pressure on the wing during paper output
NO LONGER SUPPLIED

Stop

172 C5870-40038 Fine paper length adjuster (Green) - Holds paper firmly against the back of the paper input tray
NO LONGER SUPPLIED

Paper Tray Parts
Tray

- 173 C4557-60049 Paper input tray pressure plate
- 174 C5870-40028 Paper input tray base - Does not include the pressure plate assembly

Tray Assembly

- 175 C5870-60081 Paper input tray assembly (partial) - Includes only base of tray and pressure plate assembly
- 176 C6411-60004 Paper tray left side assembly (Left cheek assembly) - Includes left cheek, banner PCA and cable assembly, banner switch lever
NO LONGER SUPPLIED

Wing

- 177 C4557-40024 Left wing - Holds printed paper after being ejected
- 178 C4557-40025 Right wing - Holds printed paper after being ejected

Paper and Other Media
Film (Transparency)

- C3832A Premium InkJet transparency film - A4 size (21.0cm x 29.7cm) - 20 sheets per package
- C3835A Premium InkJet transparency film - A4 size (21.0cm x 29.7cm) - 50 sheets per package
- C6053A Premium InkJet rapid-dry transparencies - A4 size (21.0cm x 29.7cm) - 50 sheets per package
NO LONGER SUPPLIED
- C3828A Premium InkJet transparency film - A size (8.5 x 11-inches) - 20 sheets per package
- C3834A Premium InkJet transparency film - A size (8.5 x 11-inches) - 50 sheets per package
- C6051A Premium InkJet rapid-dry transparencies - A size (8.5 x 11-inches) - 50 sheets per package
NO LONGER SUPPLIED

Greeting Card Kit

- C6587AN Printable Expressions all occasions card kit - Includes 20 greeting cards and envelopes, and a CD-ROM with 24 original pieces of art
NO LONGER SUPPLIED

Iron-On Transfers

- C6065A Iron-on T-shirt transfers - A4 size (21.0cm x 29.7cm) - 10 sheets per package (Asia)
- C7917A Iron-On T-Shirt Transfers - A4 size (21.0cm x 29.7cm) - Five sheets per box
- C6050A Iron-on T-shirt transfers - A4 size (21.0cm x 29.7cm) - 10 sheets per package
- C6049A Iron-on T-shirt transfers - A size (8.5 x 11-inches) - 10 sheets per package

Paper

- C6828A Greeting card paper pack (White) - A size (8.5 x 11-inches) - Felt textured - Includes 20 sheets and 20 envelopes
- C6042A Greeting card paper pack (White) - A4 size (21.0cm x 29.7cm) - Includes 20 sheets and 20 envelopes
- C1812A Greeting card paper pack (White) - A size (8.5 x 11-inches) - Includes 20 sheets and 20 envelopes

Paper (Banner)

- C1821A Banner paper - A4 size (21.0cm x 29.7cm) - Perforated for easy separation - 100 sheets per pack
- C1820A Banner paper - A size (8.5 x 11-inches) - 24 lb - Perforated for easy separation - 100 sheets per pack

Paper (Glossy)

- C3837A Premium glossy InkJet paper - A4 size (21.0cm x 29.7cm) - 50 sheets per package
- C6045A Glossy greeting cards - A4 size (21.0cm x 29.7cm) - 10 scored glossy cards and envelopes
- C6044A Glossy greeting cards - A size (8.5 x 11-inches) - 10 scored glossy cards and envelopes
- C6817A Professional glossy InkJet brochure and flyer paper - Glossy on both sides - A size (8.5 x 11-inches) - 50 sheets per box

Paper (InkJet Photo)

- C6983A Photo quality InkJet paper - With two sided semi-gloss finish - A size (8.5 x 11-inches) - 25 sheets per package
- C7007A Photo quality InkJet paper - With two sided matte finish - A size (8.5 x 11-inches) - 100 sheets per package

Paper and Other Media**Paper (InkJet)**

51634Z	InkJet non-glossy LX paper - A4 size (21.0cm x 29.7cm) - 200 sheets per package
C1825A	Bright white InkJet paper - A4 size (21.0cm x 29.7cm) - 500 sheets per package
C1853A	Premium InkJet heavyweight paper - A4 size (21.0cm x 29.7cm) - Coated on both sides - 100 sheets per package
C5977A	Bright white InkJet paper - A4 size (21.0cm x 29.7cm) - 200 sheets per package
C5977B	Bright white InkJet paper - A4 size (21.0cm x 29.7cm) - 250 sheets per package
51634Y	InkJet non-glossy LX paper - A size (8.5 x 11-inches) - 200 sheets per package
C1824A	Bright white InkJet paper - A size (8.5 x 11-inches) - 500 sheets per package
C5976A	Bright white InkJet paper - A size (8.5 x 11-inches) - 200 sheets per package
C5976B	Bright white InkJet paper - A size (8.5 x 11-inches) - 250 sheets per package

Paper (Matte)

C7018A	Matte greeting cards (White) - Half fold - A size (8.5 x 11-inches)
C6955A	Professional and flyer paper (Matte) - A size (8.5 x 11-inches) - 50 sheets

Paper (Photo)

C6765A	Photo paper - A4 size (21.0cm x 29.7cm) - 20 sheets per package (Asia)
C6979A	Premium glossy photo paper (fast dry time) - A size (8.5 x 11-inches) - 50 sheets per package
C7896A	Glossy Photo Paper - A size (8.5 x 11-inches) - 50 sheets per box
C7897A	Glossy photo paper - A4 size (21.0cm x 29.7cm) - 50 sheets
C7898A	Glossy photo paper - A4 size (21.0cm x 29.7cm) - 20 sheets per box (Japan)
C1847A	Photo paper - A4 size (21.0cm x 29.7cm) - 20 sheets per package
C6040A	Premium glossy photo paper - A4 size (21.0cm x 29.7cm) - 15 sheets per package (Europe, Brazil, and Argentina)
C6043A	Premium glossy photo paper - A4 size (21.0cm x 29.7cm) - 15 sheets per package (Japan)
C6057A	Premium glossy photo paper - A4 size (21.0cm x 29.7cm) - 20 sheets per package NO LONGER SUPPLIED
C1846A	Photo paper - A size (8.5 x 11-inches) - 20 sheets per package
C6039A	Premium glossy photo paper (Fast dry time) - A size (8.5 x 11-inches) - 15 sheets per package
C6055A	Deluxe glossy photo paper - A size (8.5 x 11-inches) - 20 sheets per pack - For use with DeskJet KIE-logo printers
C6039A	<i>New Part for C6055A</i>

Paper (Textured)

C6829A	Felt Textured Greeting card paper pack (White) - A4 size (21.0cm x 29.7cm) - Includes 20 sheets and 20 envelopes per box
C7019A	Textured greeting card - White half fold - A size (8.5 inches x 11 inches)

Stickers

C6822A	Round re-stickable InkJet stickers - HP bright white 6.35cm (2.5in) round stickers with 3M 'Post-it' adhesive - A size (8.5 x 11-inches) - 10 sheets per package with nine stickers per sheet
C6823A	Square re-stickable InkJet stickers - HP bright white 6.35cm (2.5in) square stickers with 3M 'Post-it' adhesive - A size (8.5 x 11-inches) - 10 sheets per package with nine stickers per sheet

Print Mechanism Parts**Adjuster**

179	C6409-40021	Carriage rod adjuster - Used to support and align the carriage rod (2 used) - This item should be replaced only by trained, experienced service personnel NO LONGER SUPPLIED
-----	-------------	---

Backbone

180	C6409-00013	BackBone - Large metal item where the main logic PCA and the carriage drive motor are mounted - This item should be replaced only by trained, experienced service personnel
-----	-------------	---



Print Mechanism Parts

Belt

181 C4557-40049 Carriage drive belt - Moves printhead side to side
NO LONGER SUPPLIED

Blade

182 C2145-00037 ESD blade - Installed between cartridge and carriage PCA ESD blade - Installed between cartridge and carriage PCA

Bracket

183 C5870-00010 Paper motor mounting bracket

Cam

184 C6409-40040 Pick cam - Controls pressure plate and lever
NO LONGER SUPPLIED

Carriage

185 C6409-40031 Ink cartridge carriage

186 C6409-60003 Ink cartridge carriage assembly - This item should be replaced only by trained, experienced service personnel

Encoder

187 C4557-80019 Paper motor encoder disk

Flag

188 C5870-40024 OOPS flag - Media sensor - Mounts on the top right edge of the upper paper guide

Gear

189 C4557-40007 Pick gear

190 C4557-40021 Feed roller idler gear

191 C4557-40095 Encoder gear

192 C4557-40102 Feed roller cluster gear

Guide

193 C4557-40013 Rear paper guide - Guides media through rear of printer

194 C4557-40020 Lower guide - Platform for separator peg, spring and pad

195 C4557-40121 Paper encoder disk guide

196 C6409-40022 Upper paper guide - Guides media through paper path
NO LONGER SUPPLIED

C6409-40030 Spring guide

Latch

198 C4557-40042 Plastic latch (Y-shaped) - Used in conjunction with the knob to hold the rear paper cleanout door assy in place

199 C4557-60045 Cartridge latch (Black) - Holds black ink cartridge in place
NO LONGER SUPPLIED

200 C4557-60046 Cartridge latch (Color) - Holds color ink cartridge in place

Lever

201 C4557-00037 Pressure plate lever - Transfers upward pressure from the separator lifter to the kicker

202 C5870-40022 Paper pusher - Small, spring loaded lever attached to pivot - Pushes against left side of paper to maintain right edge alignment

Lifter

203 C4557-40063 Separator lifter - Used to lift the separator peg

Link

204 C6429-60025 Kicker bar cam link (Spring loaded)

Motor

205 C4557-60003 Carriage motor assembly (Includes pulley)

206 C6409-60004 Paper advance motor

**Print Mechanism Parts****Paper Stacker**

207 C4557-40016 Kicker - Restacks paper in stack after top sheet is picked

Pin

208 C4557-40085 Link pin - Small plastic piece

C6429-60025 *New Part for C4557-40085*

209 C5870-40029 Separator peg

Plate

210 C6409-40028 Belt Attachment Plate - Mounted to back of Ink Cartridge Carriage Assembly - Used to attach the Carriage Drive Belt

Print Mechanism

C6409-60106 Print mechanism assembly - Complete mechanism with carriage movement, paper picking and service station operations - For use in India only
NO LONGER SUPPLIED

C6429-60225 *New Part for C6409-60106*

Retainer

212 C4557-00024 Ferrite retainer - Holds head drive flex cable ferrite

213 C4557-20026 Felt retainer - Holds the lubricating felt to the side of the carriage

Rod

214 C6409-20004 Carriage rod - Shaft that the carriage assembly rides on - This item should be replaced only by trained, experienced service personnel

Roller

215 C4557-20002 Pinch roller - Provides downward pressure on media as it passes by upper paper guide

216 C4557-40015 Rear roller (Black) - Between paper and rear paper guide
NO LONGER SUPPLIED

217 C4557-60025 Pivot feed roller - Shaft with 4 hard rollers - Does not include other items such as gear or encoder

218 C5870-40030 Postscan roller - Shaft with 2 rollers - Mounts on underside of the lower ADF chassis

219 C5870-60092 Pickup roller assembly - Shaft with large rollers, gear, and 2 bearings - Picks paper from paper input tray - Available for trade sales in Europe and Asia/Pacific - Available for authorized service centers only in USA

220 C6409-60037 Pivot feed roller assembly - Shaft with small rollers and paper encoder - This item should be replaced only by trained, experienced service personnel

221 C6426-60049 Pickup roller - Shaft with large rollers - Does not include other items such as gear or bearings

Separator

222 C4557-60011 Separator pad

Shaft

223 C4557-20027 Cartridge latch shaft near top of carriage - Used to hold cartridge latches in place

Shift Plate

C6455-60057 Shift plate assembly - Five plastic gears held in a two piece plastic frame - Attaches to feedroller assembly

Slide

225 C5870-40036 Integrated slider for carriage assembly

Snap

226 C4557-40150 Pivot snap - Used to hold pivot to pick feed roller shaft

Spring

227 C2145-00033 ESD spring between ESD blade and carriage PCA

228 C4557-00009 Separator spring - Provides pressure between separator assembly and the center drive roller

229 C4557-00011 Drawer spring - Holds input drawer in place

230 C4557-00017 Belt tension spring - Provides tension for carriage belt

231 C4557-00018 Encoder spring - Provides tension for encoder strip

**Print Mechanism Parts****Spring**

232	C4557-00033	Link spring - Provides tension to shaft of pick cam gear
233	C4557-20003	Rear roller spring - Flexible axle for rear roller
234	C4557-20007	Pinch spring - Provides tension on upper paper guide
235	C4557-20009	Latch spring - Provides friction for rear access door knob
236	C4557-20024	Shifter spring - Provides tension on the pivot
237	C4557-20028	EOR tension spring - Maintains tension on wear strip
238	C5870-20002	Paper stacker (kicker) spring

Strip

239	C4557-80001	Encoder strip - Clear strip with position marks - Used by the sensor in the carriage assembly to determine position
240	C5870-00004	Wear strip - Long, spring loaded strip mounted in top of backbone - Used to ensure smooth ink cartridge carriage motion

Support

241	C6409-00008	Upper paper guide support - Base for upper paper guide NO LONGER SUPPLIED
-----	-------------	--

Turnaround Assembly

242	C4557-60109	Turnaround assembly - Provides carriage belt tension - Does not include spring
-----	-------------	--

Washer

243	C4557-80002	Felt washer - Used to lubricate the carriage rod
-----	-------------	--

Replacement Printers**Printer**

C6409-69001	Replacement DeskJet 880C printer - For HP repair use only - Does not include power module or power cord REQUIRES RETURN OF DEFECTIVE PART
C6409-60901	<i>New Part for C6409-69001</i>
C6409-69005	Replacement DeskJet 882C printer - For HP repair use only - Does not include power module or power cord NO LONGER SUPPLIED
C6429-60225	DeskJet 970Cxi - Without power cord - Configured for English font

Service Station Parts**Absorber**

247	C5870-80007	Spittoon sponge - Absorbs excess ink from cartridges
-----	-------------	--

Bonnet

248	C5870-40016	Service station bonnet - Top cover of the spittoon - Has cutout for pallet/link assembly
-----	-------------	--

Clip

249	C5870-00002	Service station ESD grounding clip
-----	-------------	------------------------------------

Gear

250	C4557-40079	Transfer gear (Double gear)
251	C5870-40017	Cluster gear (Large gear)

Motor

252	C5870-60004	Service station motor assembly - Includes PC board and gear
-----	-------------	---

Pallet

253	C6426-60054	Pallet/link assembly - Installed between spittoon and sled cap assembly - Mounting platform for the wiper and capping systems parts
-----	-------------	---

Shaft

254	C4557-40066	Drive shaft with molded gears on each end - Inside the service station spittoon assembly
-----	-------------	--



Service Station Parts

Sled

255 C4557-60013 Sled cap assembly - Top cover of the service station assembly - Includes print cartridge caps (gaskets which keep the cartridges from drying out when not printing)

Snap

256 C4557-40069 Cap snap - Installed between pallet/link assembly and sled cap assembly - Used to hold the cap spring

Spittoon

257 C5870-40014 Spittoon base - The bottom of the service station assembly

Spring

258 C4557-00026 Cap spring - Provides pressure to cap parked print cartridges

Vent

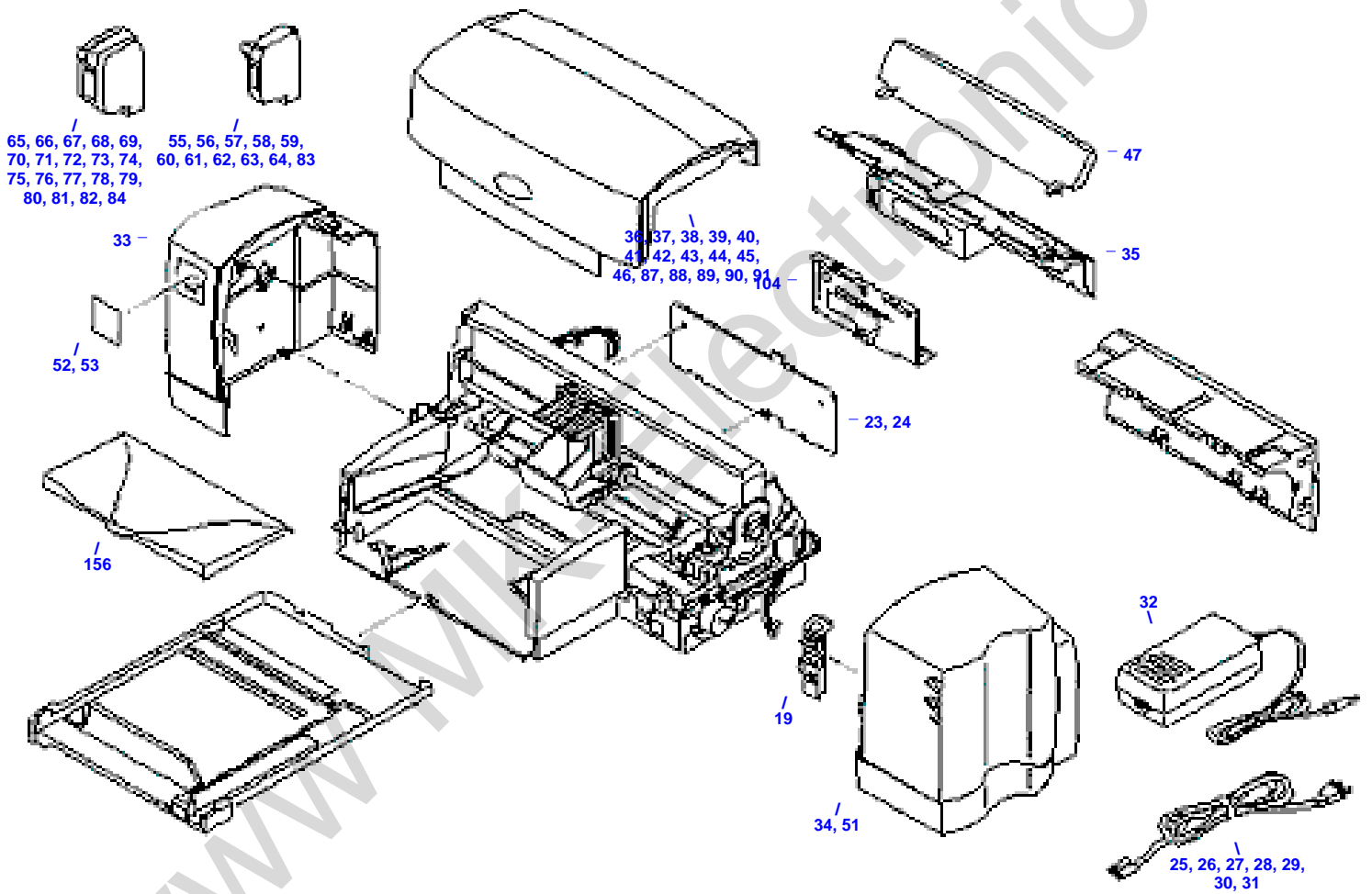
259 C4557-40068 Cap vent - For equalizing the print cartridge capping pressure

Wiper

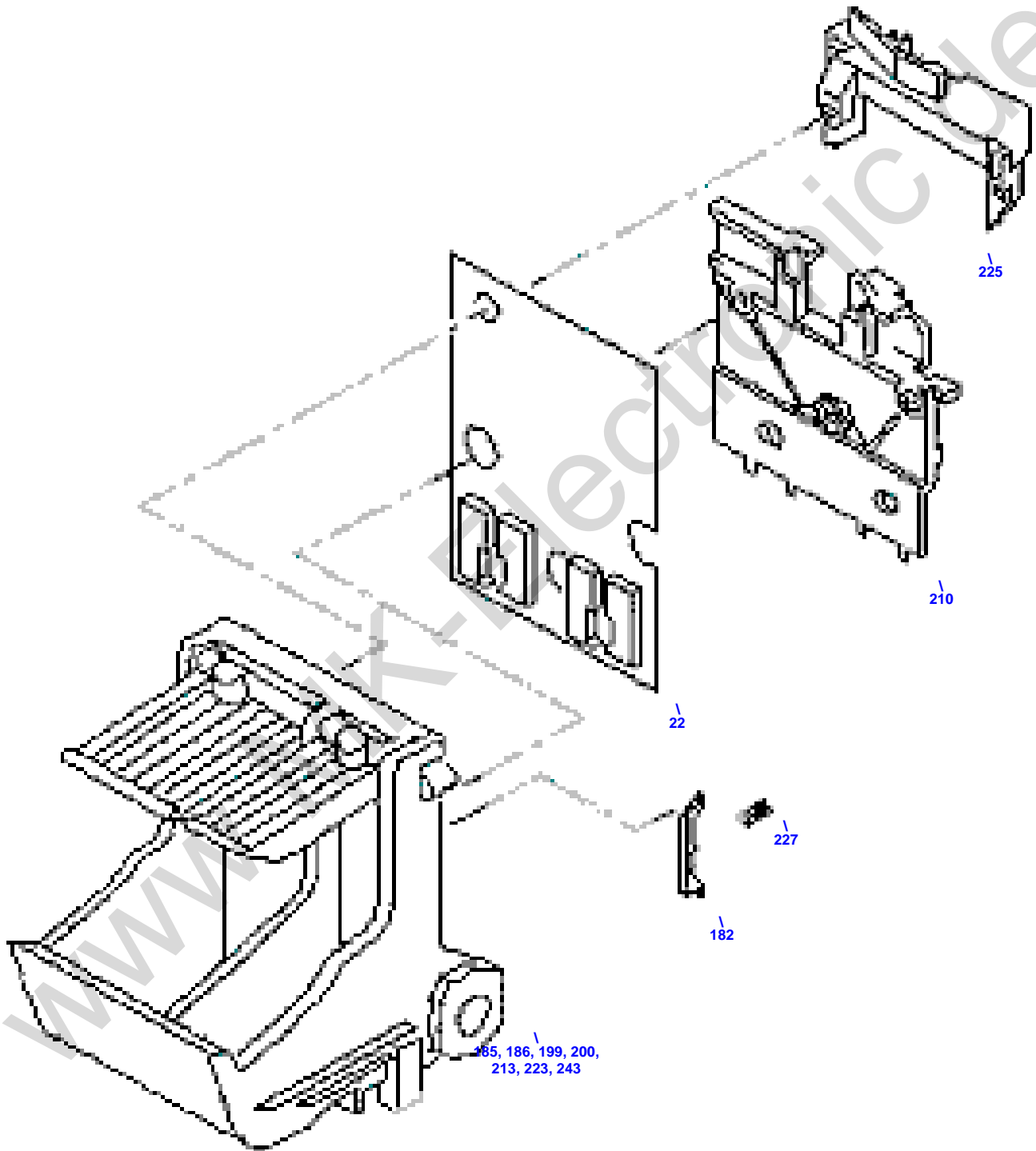
260 C4557-60014 Wiper assembly - Metal base with plastic wipers

www MK-Electronic.de

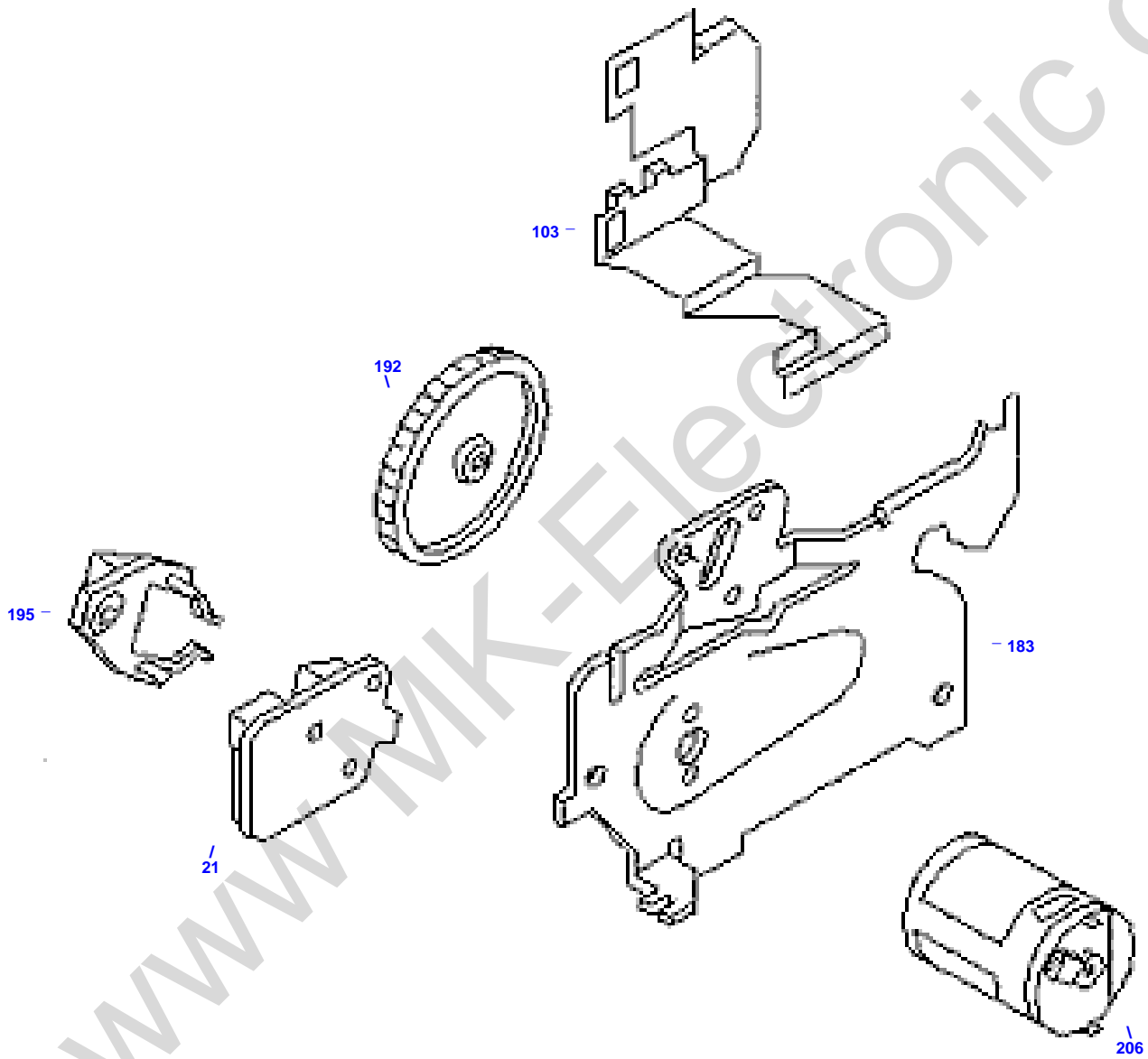
Main Assembly Locator



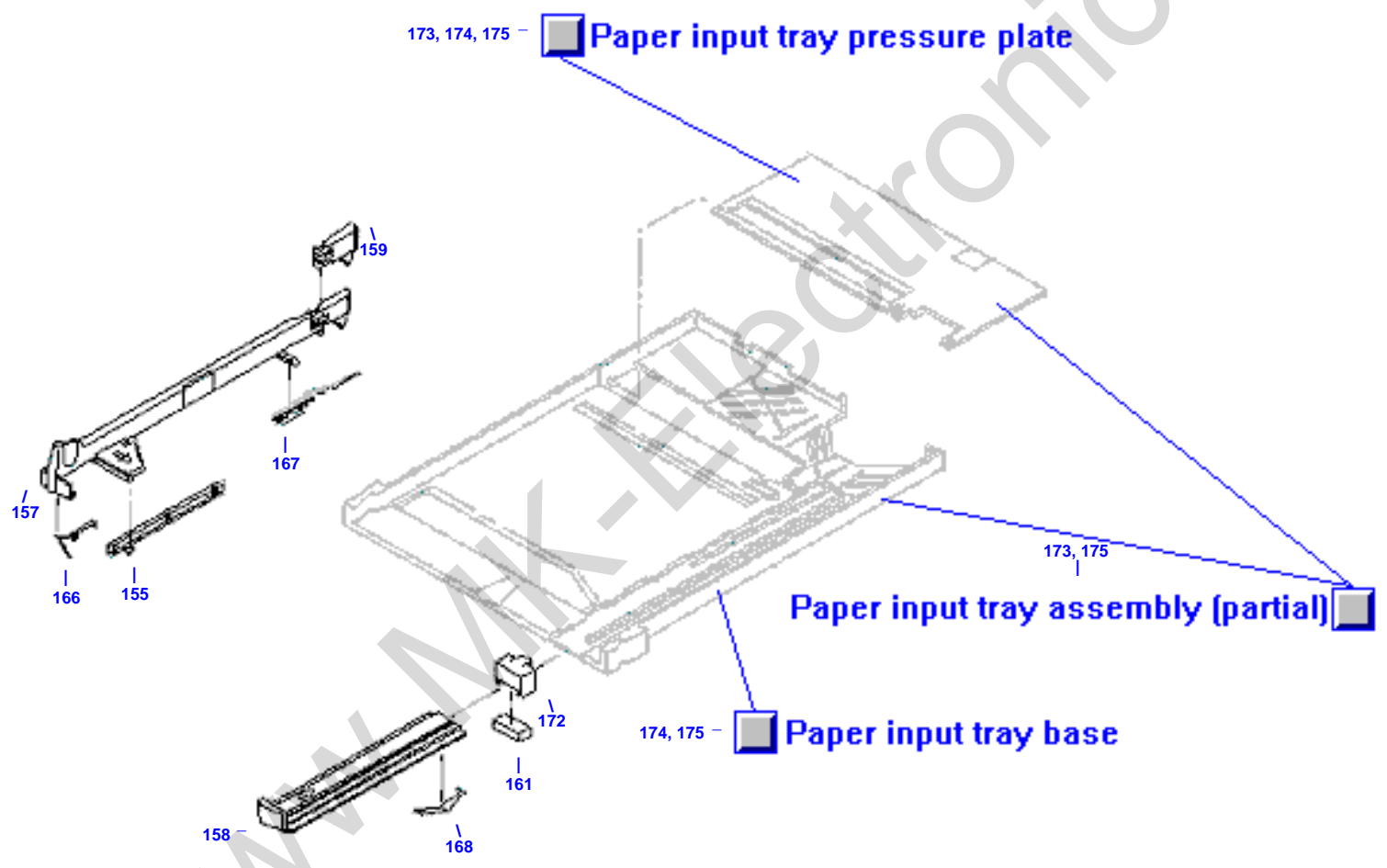
Carriage Assembly



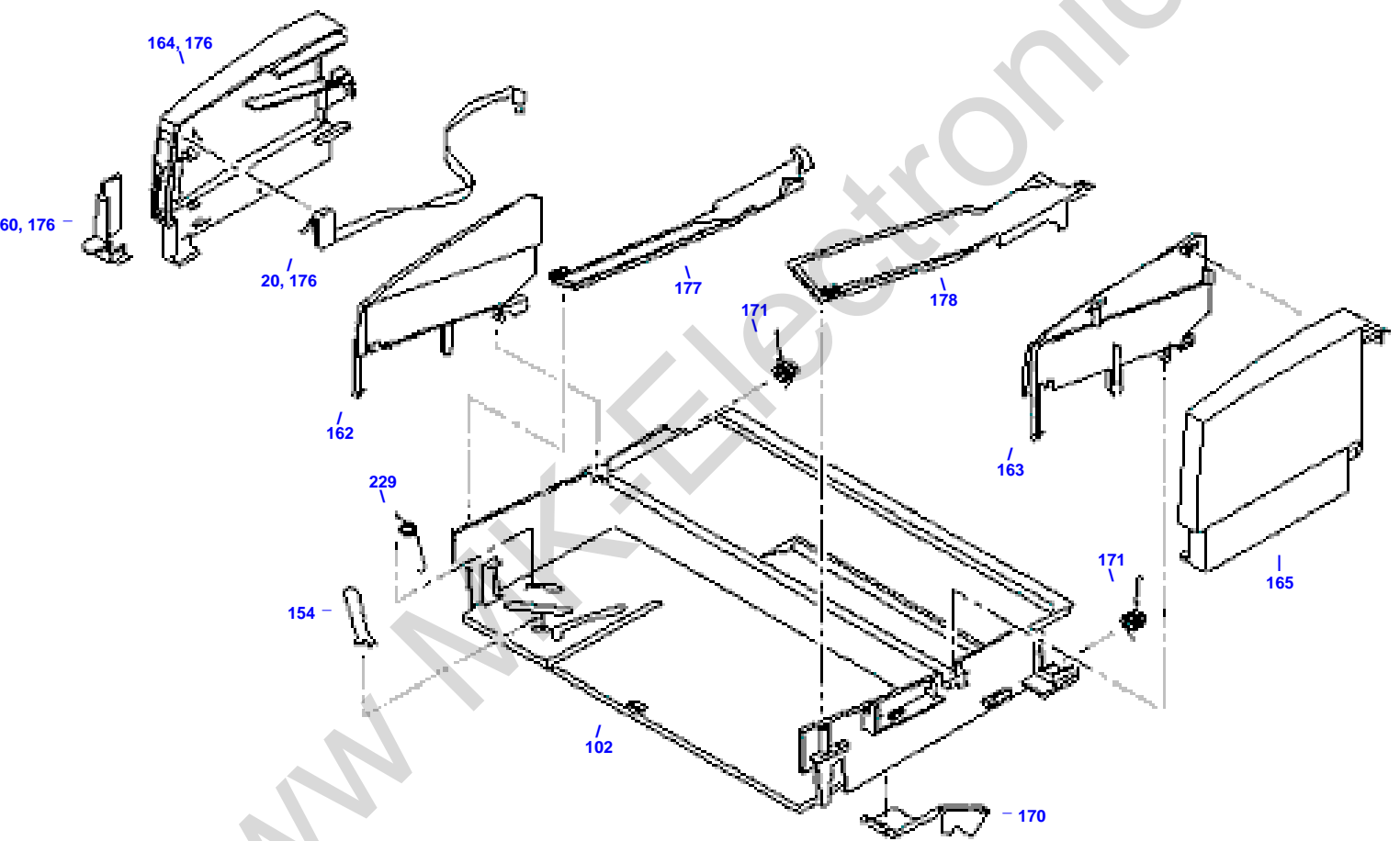
Paper Drive Motor Assembly



Paper Tray Assembly (1 of 2)

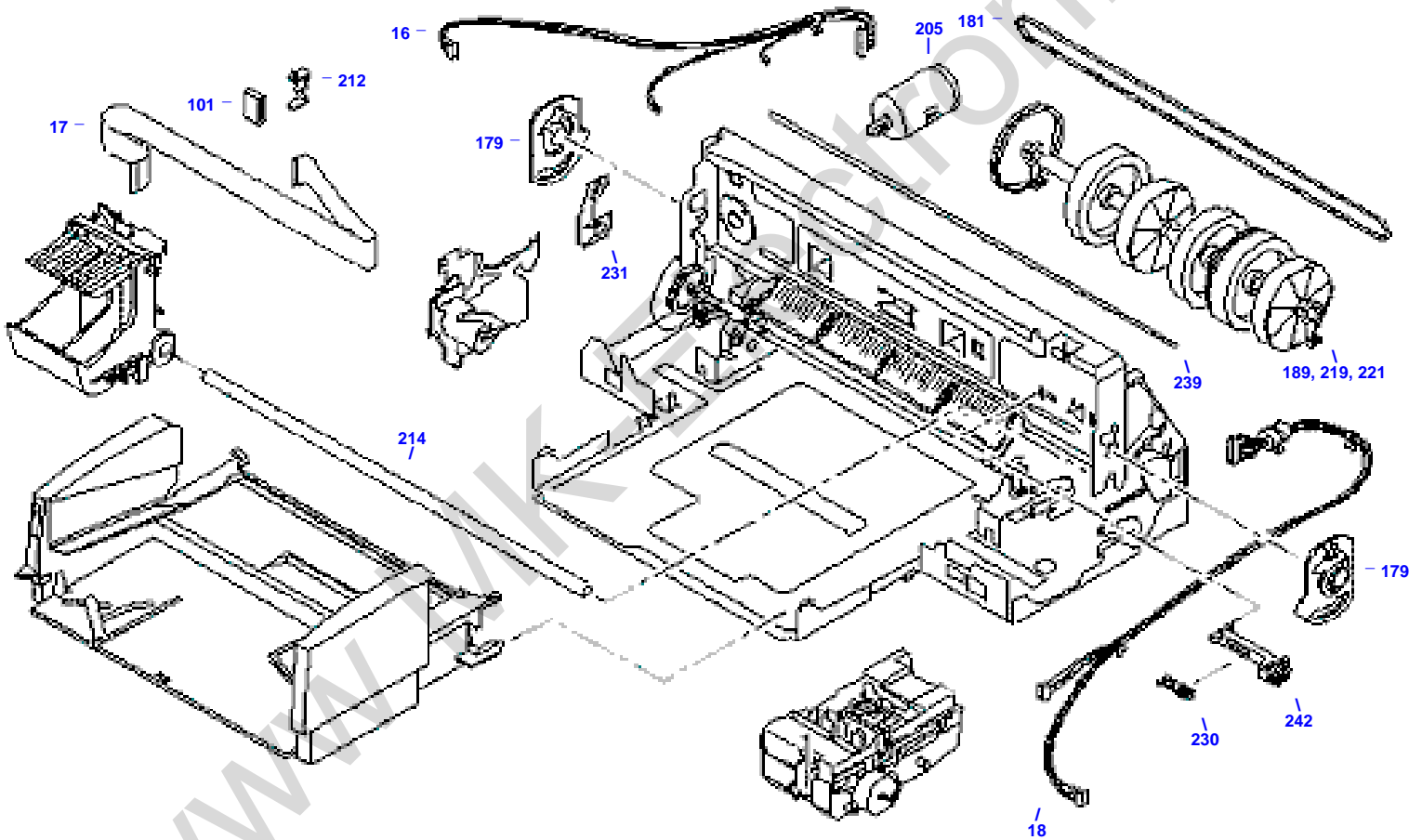


Paper Tray Assembly (2 of 2)



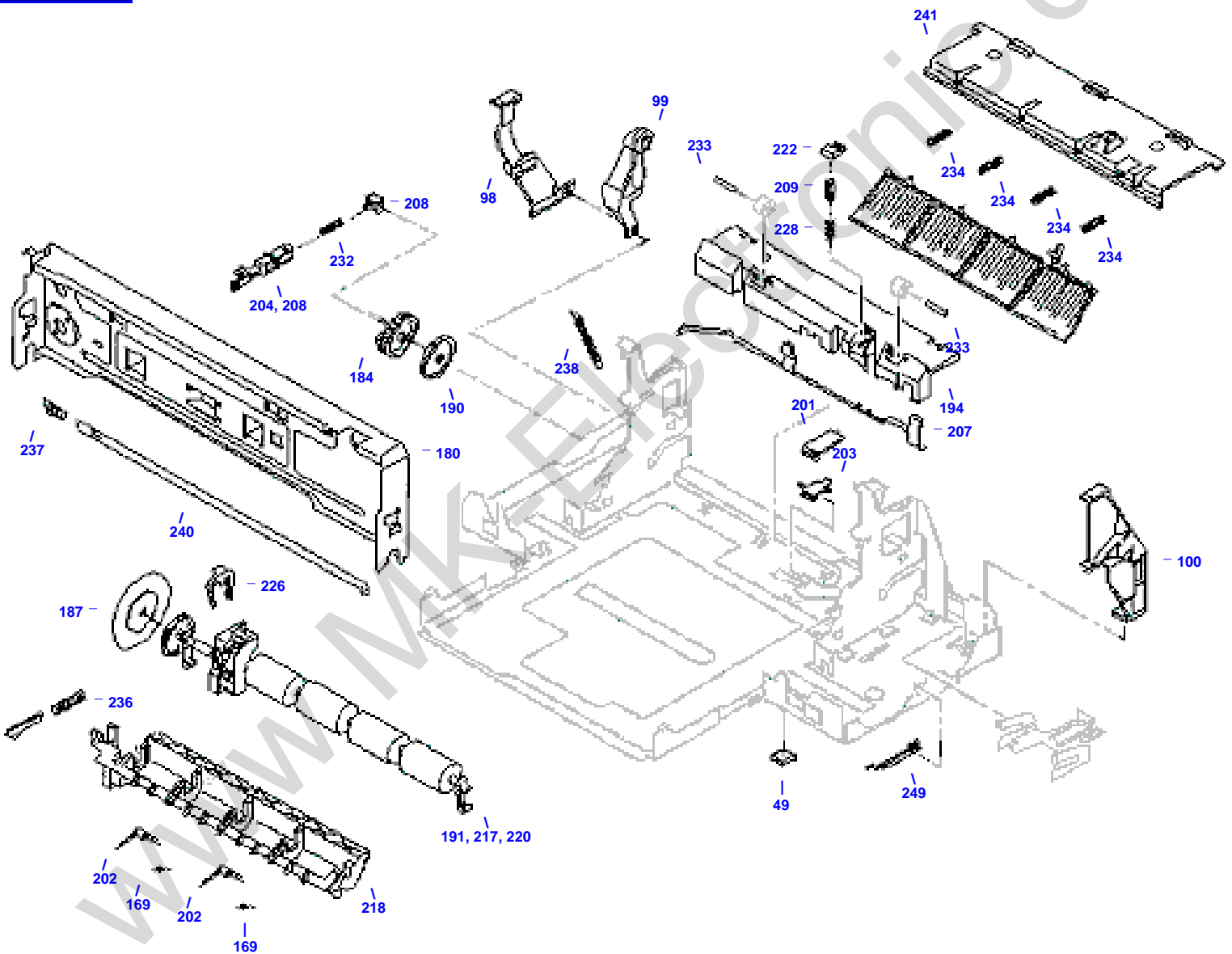
Printer Mechanism (1 of 2)

2 of 2 →



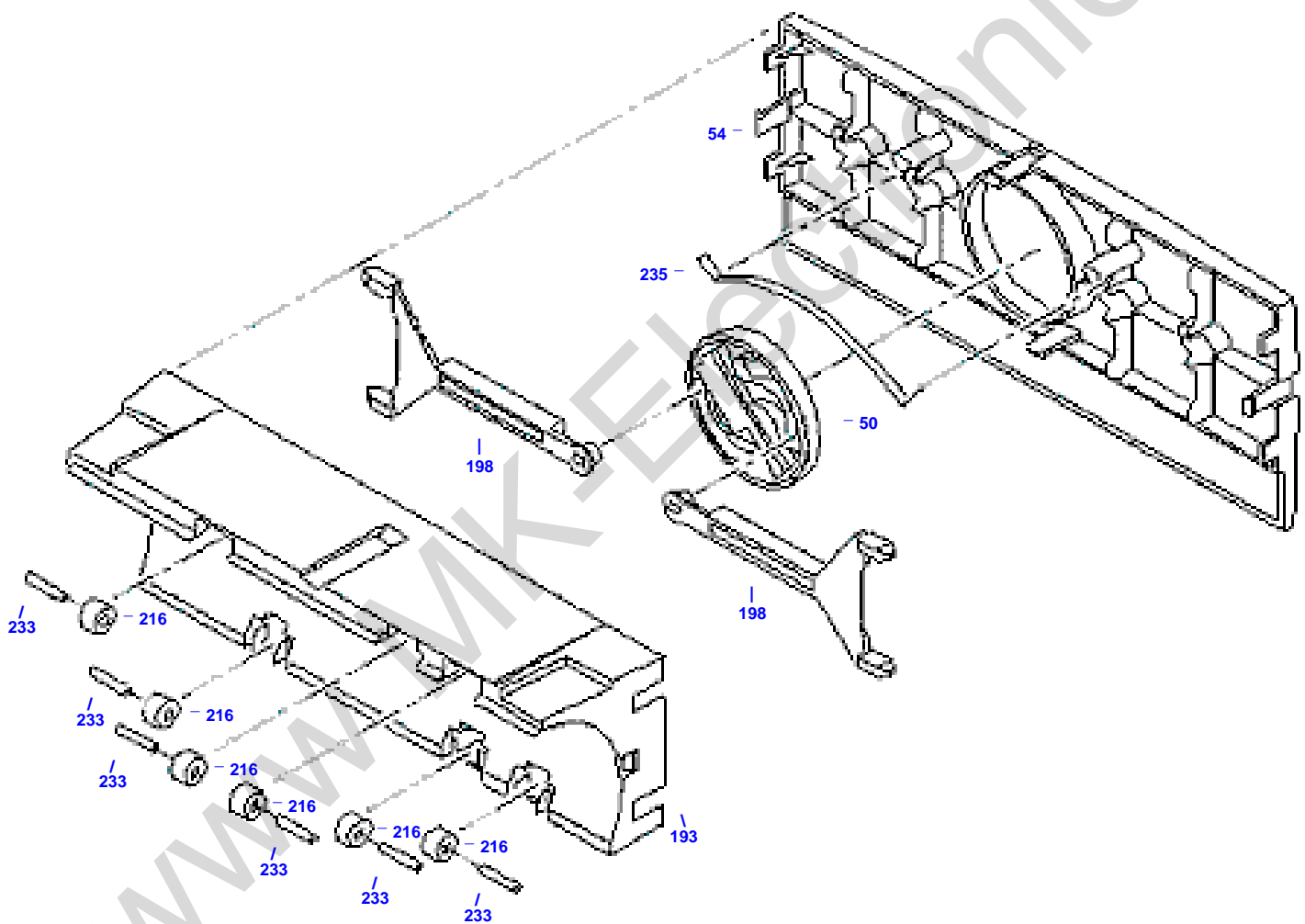
Printer Mechanism (2 of 2)

← 1 of 2

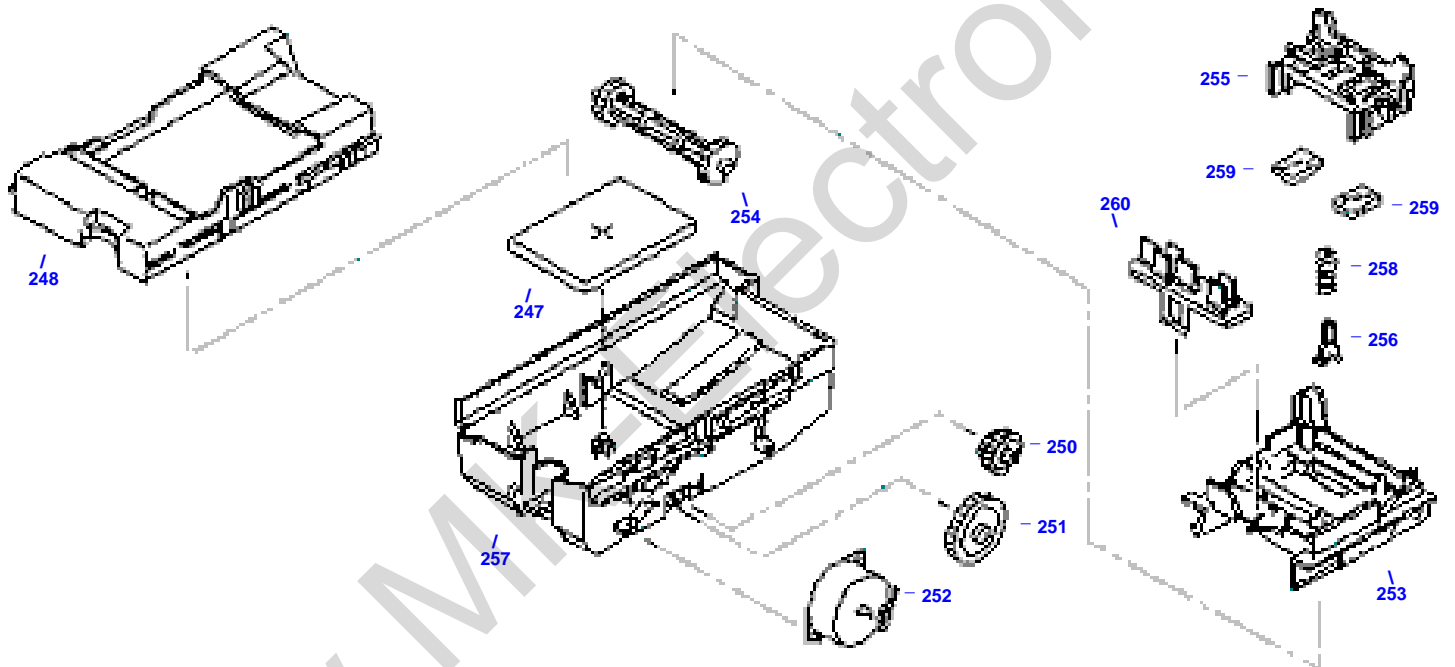


Rear Access Cleanout Assembly

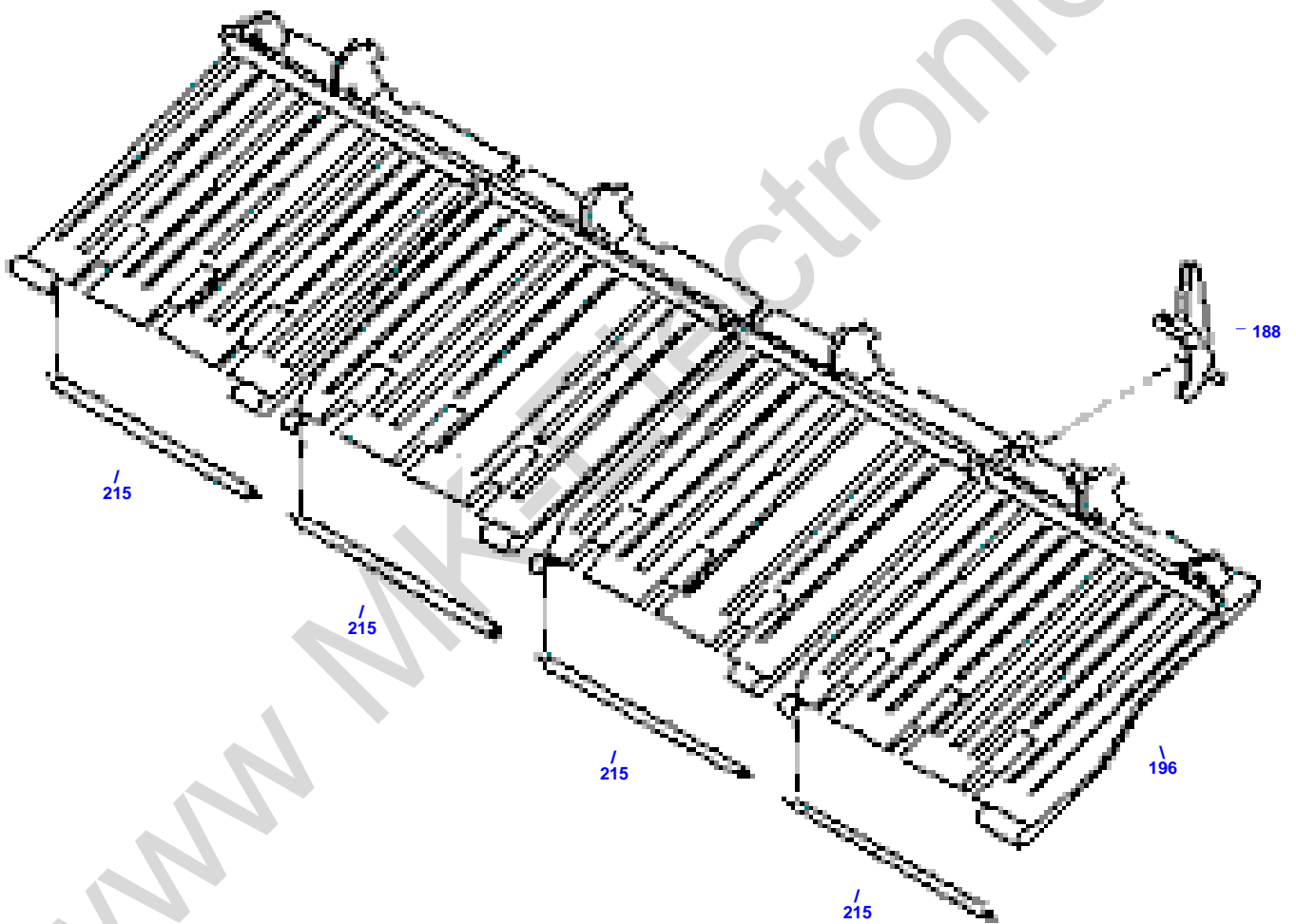
 **Rear Access Cleanout Assembly** 48



Service Station



Upper Paper Guide Assembly





HP Parts Reference Guide

<http://www.hp.com/go/parts>

HP PartSurfer

<http://partsurfer.hp.com>

HP Parts Ordering Information

<http://www.hp.com/go/hpparts>

HP Parts Questions/Comments

<http://partsurfer.hp.com/contactus.htm>

www MK-Electronic.de